

IDS-TCV907-HIR 9 MP Radar-video Fusion Checkpoint Camera



- All-in-one design, integrating camera, radar and supplement light
- High quality imaging with 9 MP resolution (1" GMOS)
- Excellent low-light performance, color: 0.001 Lux @ (F1.4, AGC ON), B/W: 0.0005 Lux @ (F1.4, AGC ON)
- Support speed detection with built-in radar
- Support license plate recognition (LPR)
- Support vehicle feature recognition: vehicle type/color/manufacturer/license plate color recognition, no-plate vehicle capture
- Violation behaviors detection: driving on lane line, lane change, wrong-way driving detection, seatbelt, phone call, U-Turn, red light running, failing to yield for pedestrians, not following directional sign and stop vehicle on intersection detection.
- Supports side mounting with convenient installation and debug

▪ Specification

Camera	
Image Sensor	9 MP (1" GMOS)
Max. Resolution	4096 × 2160
Min. Illumination	Color: 0.001 Lux @ (F1.4, AGC ON), B/W: 0.0005 Lux @ (F1.4, AGC ON), 0 Lux with IR
Shutter Time	7 us-20000 us
Day & Night	IR cut filter
Lens	
Lens Type	Varifocal lens, motorized lens, 11 to 40 mm
Focal Length & FOV	11 to 40 mm, horizontal FOV 61.8° to 23.5°, vertical FOV 32.4° to 12.2°, diagonal FOV 70.0° to 26.8°
Focus	Auto
Aperture	F1.6
Illuminator	
Built-in Supplement Light Type	IR light
Light Bead	16
Built-in Supplement Light Range	Up to 40 m
IR Wavelength	850 nm
External Supplement Light	Strobe and flash light
Radar	
Working Frequency	24.05 to 24.25 GHz
Modulation Waveform	FMCW
Antenna Beam Width	35° × 16°
Detection Distance	100 m
Speed Measuring Range	10 to 320 km/h
Max. Detectable Targets	Up to 32
Speed Measuring Accuracy	± 2 km/h
Coverage Lanes	Up to 3 lane(s)
Capture Rate	≥ 95%
Trigger Mode	Approaching direction, Leaving direction, Bidirection
Video	
Main Stream	50 Hz: 50 fps (4096 × 2160, 3840 × 2160, 3392 × 2008, 3072 × 1728, 2688 × 1520, 1920 × 1200, 1920 × 1080, 1280 × 720) 60 Hz: 30 fps (4096 × 2160, 3840 × 2160, 3392 × 2008, 3072 × 1728, 2688 × 1520, 1920 × 1200, 1920 × 1080, 1280 × 720)
Sub-Stream	50 Hz: 50 fps (3392 × 2008, 2688 × 1520, 1920 × 1080, 1280 × 720) 60 Hz: 30 fps (3392 × 2008, 2688 × 1520, 1920 × 1080, 1280 × 720)
Third Stream	50 Hz: 50 fps (1920 × 1080, 1280 × 720) 60 Hz: 30 fps (1920 × 1080, 1280 × 720)
Video Compression	Main stream: H.265/H.264/MJPEG, Sub-stream: H.265/H.264/MJPEG, Third stream: H.265/H.264/MJPEG
Video Bit Rate	32 Kbps to 16 Mbps
H.264 Type	Baseline profile/Main profile/High profile
H.265 Type	Main profile

Network	
Protocols	TCP/IP, ICMP, HTTP, HTTPS, FTP, DNS, RTP, RTSP, RTCP, NTP, SNMP, IGMP, UDP, IPv4/IPv6, ISUP, ARP, DHCP, 802.1X, SMTP
Simultaneous Live View	Up to 10 channels
API	ISAPI, SDK, ISUP, ONVIF (PROFILE S, PROFILE G, PROFILE T, PROFILE M)
User/Host	Up to 16 users 3 user levels: administrator, operator, and user
Security	Password protection, Complicated password, HTTPS encryption, 802.1X authentication (EAP-PEAP, EAP-LEAP, EAP-MD5), Basic and digest authentication for HTTP/HTTPS, WSSE and digest authentication for ONVIF, Control timeout settings
Network Storage	Micro SD/TF card (512 GB), Local storage, CVR, NVR, ANR
Client	Hik-Central Master, Hik-Central Pro, HikCentral Master Lite
Web Browser	Chrome V61+, IE9 to IE11, Firefox V40+, Edge
Image	
Image Settings	Saturation, brightness, contrast, sharpness, AGC, and white balance are adjustable by client software or web browser.
Day/Night Switch	Auto, Schedule, Manual
SNR	60 dB
Image Enhancement	BLC, 3D DNR
Supplement Detection (Satellite Positioning)	
Satellite Positioning	Optional
Interface	
Ethernet Interface	1 RJ45 10 M/100 M/1000 M self-adaptive Ethernet interface
On-Board Storage	Built-in memory card slot, supporting microSD/SDHC/SDXC card, up to 512 GB
Alarm	6 output interfaces
RS-485	1 RS-485 interface
Event	
Basic Event	HDD Error, network disconnected, IP address conflicted, Traffic light detector exception
Road Traffic and Vehicle Detection	
Coverage	Up to 3 lane(s)
Smart Function	License plate recognition Vehicle type classification, vehicle color recognition, no-plate vehicle capture, moving direction detection
Trigger Mode	External I/O trigger/Radar trigger/Video trigger
Vehicle Type	Car/Van/Bus/Truck/Light Truck/SUV_MPV/Pickup/Pedestrian/Motorcycle/Tricycle
Accuracy (Under recommended installation and lighting conditions)	Capture rate > 99%, Vehicle moving direction recognition accuracy > 98.5%, LPR accuracy > 98%, Mistaken capture rate < 2%
Motorcycle LPR	Supported
No License Plate Detection	Supported

LPR Countries/Regions	<p>Middle East: The United Arab Emirates (Abu Dhabi, Ajman, Dubai, Fujairah, Ras Al Khaimah, Sharjah and Umm Al Quwain), Qatar, Iraq, Egypt, Jordan, Kuwait, Saudi Arabia, Pakistan, Oman, Lebanon, Bahrain,</p> <p>Africa: Nigeria, Kenya, Ivory Coast, South Africa, Tanzania, Mauritius, Morocco, Tunisia, Sierra Leone, Zambia, Ghana, Zimbabwe, Uganda, Angola, Ethiopia, Senegal, Algeria,</p> <p>Asia-Pacific: Australia, New Zealand, Indonesia, Malaysia, Singapore, South Korea, Thailand, Vietnam, the Philippines, Hong Kong, Macao, Taiwan, Myanmar, India, Mongolia, Cambodia, Laos, Bangladesh, Nepal, Sri Lanka,</p> <p>America: Canada, Argentina, Chile, Paraguay, Uruguay, El Salvador, Bolivia, Colombia, Brazil, Ecuador, Peru, Mexico, Panama, Costa Rica, Trinidad and Tobago, the Dominican Republic, Guatemala,</p> <p>Europe: Turkey, Croatia, Slovakia, Czech Republic, Bulgaria, the Republic of North Macedonia, Hungary, Greece, Poland, France, Netherlands, Switzerland, Spain, the UK, Ireland, Germany, Italy, Austria, Israel, Palestinian, Belgium, Luxembourg, Albania, Kosovo, Serbia, Romania, Montenegro, Denmark, Finland, Sweden, Slovenia, Portugal, Malta, Cyprus, Iceland, Liechtenstein, Bosnia and Herzegovina,</p> <p>Russian-Speaking Regions: Azerbaijan, Belarus, Kazakhstan, Lithuania, Georgia, Estonia, Latvia, Russia, Ukraine, Moldova, Uzbekistan, Kyrgyzstan, Armenia, Turkmenistan, Tajikistan</p>
Vehicle Color	Red, yellow, green, blue, pink, purple, cyan, brown, white, grey, black Recognizable at daytime only.
Vehicle Manufacturer	<p>212 Manufacturers: AC SCHNITZER, AITO, APOLLO, Ashok Leyland, Audi, Aston Martin, Acura, Ankai, Ayvip, Alfa Romeo, Asiastar, Artega, ARCFox, BAIC, Beiben Truck, BLUECAR, Bedford, Benz, BMW, BYD, Bufori, Buick, Bently, Brabus, Bugatti, Borgward, BONLUCK, Besturn, CADILLAC, Celis, Chevrolet, Citroen, Chery, Chrysler, Chang an, CNHTC, CHTC, Caterham, Conquest, C&C Trucks, CAMC, DAIHATSU, DMC, DS, Dacia, Dongnan, Dodge, Dongwo, Denza, Dongfeng, Daewoo, Dima, Denway, DORCEN, Eicher, Emgrand, Equss, EXEED, Ford, FORO, Fornasari, Ferrari, Fuqi, Fiat, Fisker, FQT Motor, Foton, FAW, FORLAND, FUSO, Force Motors, Fxauto, Faralli Mazzanti, GAC, Great Wall, GMC, Geely, Geometry, Hyundai, HENNESSEY, HINO, Honda, Haima, Haval, Hongqi, Isuzu, Infiniti, Iveco, IAT, IM, JAC, JBC, JEEP, Jaguar, JMC, JETOUR, JETTA, Joylong, Koenigsegg, KIA, Kia-Borrego, King Long, Kama, KTM, LEVC, Lexus, Land Rover, Lincoln, Lamborghini, Lotus, Luxgen, Levdeo, Leopaard, Lynk & Co, Lada, Leading Ideal, LEAPMOTOR, LUMMA, Lorinser, Land Wind, MAN Trucks, MAXUS, MG, MINI, Mahindra, Mitsuoka, Maserati, Meiya, McLaren, Maybach, Mazda, Morgan, Mitsubishi, Mustang, Marvel R, Maple, MANSORY, Modern, NOMA, Nissan, Norinco, Neoplan, NIO, NETA, Opel, Ora, Oushang, Perodua, Porsche, Peugeot, PGO, Proton, Pagni, Polestar, POCCO, Qoros, RAM, Rolls-Royce, Renault, Roewe, Rohens, Ranz, Ruilan, Radar, Renault Samsung, SAAB, SCANIA, SCION, SMART, SML ISUZU, Suzuki, SAIC Datong, Subaru, Skoda, Startek, Soyat, Seat, SWM, Sany, SsangYong, Sojen, Silver, SATE, SOL, Skyworth, SGMW, SITECH DEV, TATA, Tankar, Tesla, Trumpchi, Techart, Toyota, UD, UAES, Volkswagen, VINFAST, Venucia, Volvo, VOYAH, VeiculoLongo, Weltmeister, XCMG, Xinyuan, XPENG, Yutong, YAMAHA, Zhonghua, Zotye, Zhinuo, ZEEKR, Zenvo</p>
License Plate Color Recognition	Customized to support
U-Turn	Supported (only E-Police mode)

Red Light Running	Supported (only E-Police mode)
Failing to Yield for Pedestrians	Supported (only E-Police mode)
Stop Vehicle on Intersection	Supported (only E-Police mode)
Not Following Directional Sign	Supported (only E-Police mode)
Yellow Box Junction Violation	Supported (only E-Police mode)
Driving on Lane Line Detection	Supported
Lane Change Detection	Supported
Seatbelt Detection	Supported (with flash supplement light)
Phone Call Detection	Supported (with flash supplement light)
Vehicle Window Film	Supported (with flash supplement light)
Wrong-Way Driving Detection	Supported
Emergency Lane Occupation	Supported (truck forbidden lane, emergency lane, urban bus lane)
Prohibition Mark Violation	Supported
Speeding	Supported (with Radar)
Low-Speed	Supported (with Radar)
Without Helmet	Supported
Manned Non-Motor Vehicle	Supported
Capture Speed Range	10 to 320 km/h
General	
Operating System	Linux
Power	DC 36 V ± 20%, 2 A, max. 75 W, two-core terminal block
Material	Aluminum alloy
Dimension	457 mm × 396 mm × 139.15 mm (17.99" × 15.59" × 5.48") (L × W × H)
Package Dimension	535 mm × 500 mm × 360 mm (21.06" × 19.68" × 14.17") (L × W × H)
Weight	Approx. 8.13 kg (17.9 lb.)
With Package Weight	Approx. 13.72 kg (30.2 lb.)
Operating Condition	-30 °C to 70 °C (-22 °F to 158 °F). Humidity: 5% to 95% (non-condensing)
Storage Condition	-30 °C to 70 °C (-22 °F to 158 °F). Humidity: 5% to 95% (non-condensing)
General Function	One-key reset, Three streams, Heartbeat, Password protection, Pixel counter
Heater	Optional
Language	8 languages: English, Thai, Croatian, Korean, Russian, Traditional Chinese, Ukrainian, Spanish
Approval	
EMC	CE-EMC: EN 55032: 2015/A11:2020+A1:2020, EN IEC61000-3-2: 2019/A1:2021, EN 61000-3-3: 2013+A1:2019/A2:2021, EN 50130-4: 2011 +A1: 2014
Environment	CE-RoHS: 2011/65/EU, WEEE: 2012/19/EU, Reach: Regulation (EC) No 1907/2006
RF	CE-RED: EN 301489-1 V2.2.3, EN 301489-3 V2.1.1, EN 301489-17 V3.2.4, EN 301489-52 V1.2.1, EN 300440 V2.1.1, EN 302288-2 V1.6.1
Safety	CE-LVD: EN 62368-1: 2014+A11: 2017, CB: IEC 62368-1: 2018, CE-LVD: EN 62368-1: 2020+A11: 2020
Protection	IK10: IEC 62262:2002, IP66: IEC 60529-2013
Anti-Corrosion Protection	-Y: NEMA 4X (NEMA 250-2018)

▪ Typical Application

Hikvision products are classified into three levels according to their anti-corrosion performance. Refer to the following description to choose for your using environment.

/Y model: This model has MODERATE PROTECTION.

Without /Y model: This model has NO SPECIFIC PROTECTION.

Level	Description
Top-level protection	Hikvision products at this level are equipped for use in areas where professional anti-corrosion protection is a must. Typical application scenarios include coastlines, docks, chemical plants, and more.
Moderate protection	Hikvision products at this level are equipped for use in areas with moderate anti-corrosion demands. Typical application scenarios include coastal areas about 2 kilometers (1.24 miles) away from coastlines, as well as areas affected by acid rain.
No specific protection	Hikvision products at this level are equipped for use in areas where no specific anti-corrosion protection is needed.

▪ Available Model

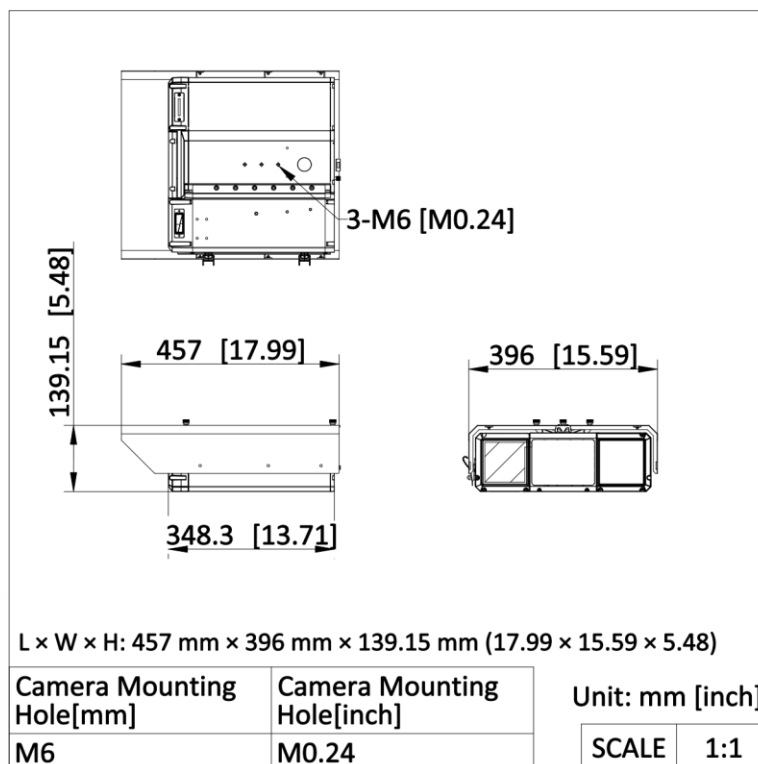
iDS-TCV907-HIR/1140(AF)

iDS-TCV907-HIR/Y/1140(AF)

iDS-TCV907-HIR/1140(AF)(Spark)

iDS-TCV907-BIR(H)/1140(AF)(EU)

▪ Dimension



▪ **Accessory**

▪ **Included**

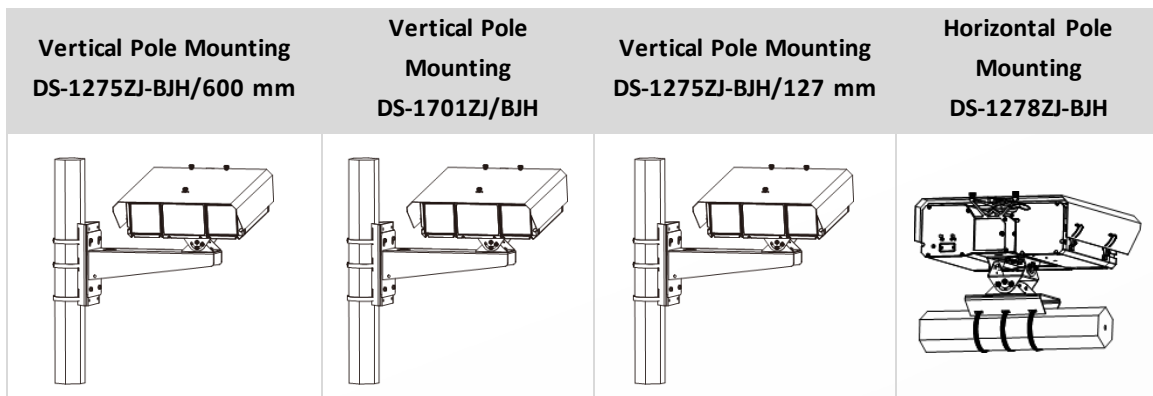


▪

▪ **Optional**



▪ **Installation Methods**



See Far, Go Further



www.hikvision.com
support@hikvision.com

