

WISeNET

ANPR CAMERAS



Wisenet ANPR cameras come complete with our ANPR software already embedded for an effortless installation.

hanwha-security.eu



Automatic Number Plate Recognition - with outstanding accuracy

Our Wisenet ANPR cameras are ideal for traffic monitoring and crime prevention. Working as an independent device, the Wisenet ANPR camera provides a simple solution for entry/exit control applications.

Outstanding recognition accuracy

More than 95% recognition accuracy in any environment or conditions.

High speed vehicle detection

Guaranteed for vehicles at a maximum speed of up to 80kmph on two lanes at night-time and up to 150 kmph on a single lane during daytime.



All European countries

Reliably recognises number plates from all European countries.

Easy setup

Simple, clear and user-friendly installation.

Black and White list support

Users can define up to 2000 number plates in black and white list.

XNO-L6080R/FNP

2M Network IR Bullet Camera

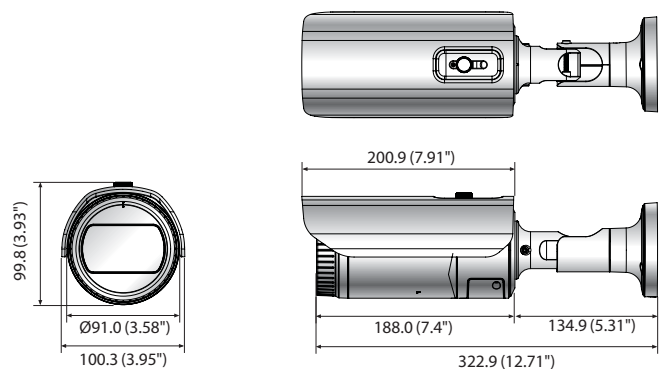
Specifications

- Max. 2megapixel (1920 x 1080) resolution
- 3.2 ~ 10mm (3.1x) motorized varifocal lens
- Max. 60fps@all resolutions (H.265 / H.264)
- H.265, H.264, MJPEG codec supported, Multiple streaming
- Day & Night (ICR), WDR (120dB), Defog
- Tampering, Defocus detection
- Motion Detection, Handover
- SD/SDHC/SDXC memory slot (Max. 256GB)
- Hallway view, WiseStreamII support
- IR viewable length 30m
- IR LED viewable length: up to 7m at night for licence plate capture, speed up to 50km/h
- IP66, IK10, PoE support



Dimensions

Unit: mm (inch)



© 2020 Hanwha Techwin Co., Ltd. All rights reserved.

DESIGN AND SPECIFICATIONS ARE SUBJECT TO CHANGE WITHOUT NOTICE
Under no circumstances, this document shall be reproduced, distributed or changed, partially or wholly, without formal authorization of Hanwha Techwin Co., Ltd.