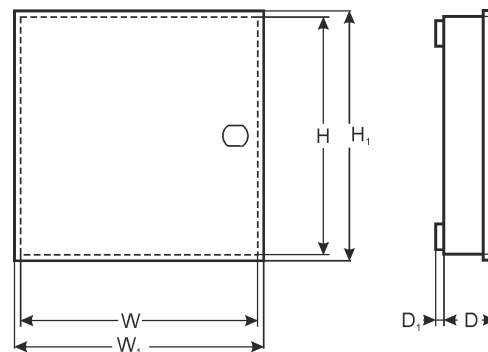


CODE:            **AWO003** v1.4/II  
 NAME:           **7/TRP20/PAR**



## DESTINATION

### PARADOX:

- 1) MG5050
- 2) (728 ULT, E55, E65, MG5000) + PS817
- 3) SP4000, 5500, 6000

### MODULES:

- 1) (2 x ZX8, PGM4) + PS817
- 2) (ACM12, APR3- ADM2, PS17) + PS817
- 3) APR3- HUB2 + ZX8(PGM4) + PS817

## TECHNICAL DATA

External dimensions of the enclosure:	W=250, H=250, D+D <sub>1</sub> =80+8 [±2 mm]
External dimensions of the front panel:	W <sub>1</sub> =255, H <sub>1</sub> =255 [±2 mm]
Weight net/gross:	2,25kg / 2,40kg [±0,1kg]
Battery space:	7Ah/12V Sealed Lead Acid (SLA)
Transformer:	TRP 20VA/16V/18V in the case of PC/ABC in class UL94-V0, IP30
Power supply:	230V/AC (-15%/+10%), 50Hz, 120mA (max.)
Power supply output:	U <sub>1</sub> =16V/AC or U <sub>2</sub> =18V/AC (-5%, +15%), I <sub>1</sub> =1,2A or I <sub>2</sub> =1,0A (max.)
Operating environment:	class II , -10°C+ 40°C
Material description:	sheet steel DC01, thickness: 0,7mm, protection anticorrosion, color: RAL 9003
Destination:	indoor
Tamper protection:	1 x microswitch: opening, 0,5A@50V/DC max. NC- contacts
Closing:	screwed x 4
Notes:	optional: lockable, distance from wall (mounting surface) - 8mm, easy door removal, holes for MAGELLAN (antennas)
Declaration, warranty:	CE, 2 year from the production date