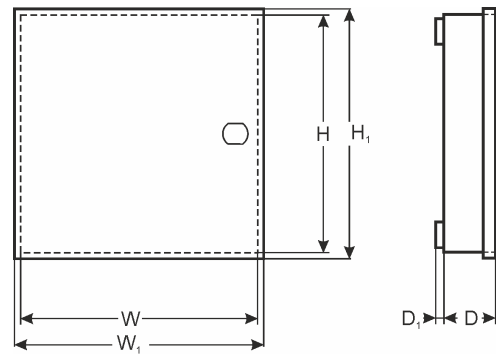


CODE: **AWO008** v1.1/II
 NAME: **7/TRP40/PAR/S**



DESTINATION

CONTROL PANELS: MG5050

(728 ULT, E55, E65, MG5000) + PS817
 SP4000, 5500, 6000, 7000, EVO48, EVO192

MODULES: (2 x ZX8, PGM4) + PS817

(ACM, APR3- ADM2, PS17) + PS817
 APR3- HUB + ZX8(PGM4) + PS817

TECHNICAL DATA

External dimensions of the enclosure:	W=250, H=250, D+D1=80+8 [+/-2 mm]
External dimensions of the front panel:	W1=255, H1=255 [+/-2 mm]
Weight net/gross:	2,45kg / 2,60kg [+/-0,1kg]
Battery space:	7Ah/12V Sealed Lead Acid (SLA)
Transformer:	TRP 40VA/16V/18V in the case of PC/ABC in class UL94-V0, IP30
Power supply:	230V/AC (-15%/+10%), 50Hz, 200mA (max.)
Power supply output:	U1=16V/AC or U2=18V/AC (-5%, +15%), I1=2,2A or I2=2,0A (max.)
Operating environment:	class II, -10°C+ 40°C
Material description:	sheet steel DC01, thickness: 0,7mm, protection anticorrosion, color: RAL 9003
Destination:	indoor
Tamper protection:	1 x microswitch: opening, 0,5A@50V/DC max. NC- contacts
Closing:	screwed x 4
Notes:	optional: lockable, distance from wall (mounting surface) - 8mm, easy door removal, holes for MAGELLAN (antennas), customized enclosure: minimum order quantity 100pcs.
Declaration, warranty:	CE, 2 year from the production date