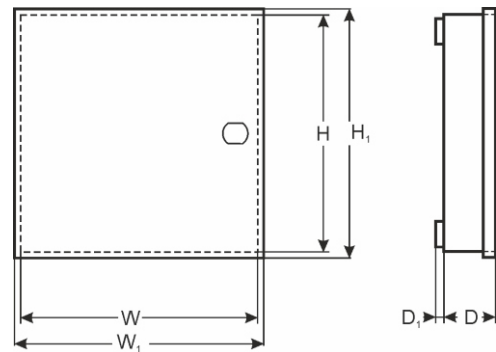


CODE: **AWO214 v1.8/III**
 NAME: **17/TRP40/PAR**



DESTINATION

PARADOX
 CONTROL PANELS:

7Ah:

- 1) (728 ULT, E55, E65, SP4000, 5500, 6000, 7000, EV048, 192, HD, MG5000, 5050, PS17, ACM12, APR3-ADM2, RPT1, LSN4) + 6x Zx8 (ZX4, APR3- ADM2, APR3- HUB2, PGM4)

17Ah:

- 1) (728 ULT, E55, E65, SP4000, 5500, 6000, 7000, EV048, 192, HD, MG5000, 5050, PS17, ACM12, APR3-ADM2, RPT1, LSN4) + 4x Zx8 (APR3- ADM2, HUB2, PGM4, 6x ZX4)

TECHNICAL DATA

External dimensions of the enclosure:	W=320, H=400, D+D1=90+8 [+/-2 mm]
External dimensions of the front panel:	W1=325, H1=405 [+/-2 mm]
Weight net/gross:	3,50kg / 3,70kg [+/-0,1kg]
Battery space:	17 Ah/12 V Sealed Lead Acid (SLA)
Transformer:	TRP 40/16/18 in the case of PC/ABC in class UL94-V0, IP30
Power supply:	230 V (-15%/+10%), 50Hz, 200mA (max.)
Power supply output:	U1=16 V AC or U2=18 V AC (-5%, +15%), I1=2,2 A or I2=2,0 A (max.)
Operating environment:	class II, -10°C+ 40°C
Material description:	sheet steel DC01, thickness: 0,7mm, protection anticorrosion, color: RAL 9003
Destination:	indoor
Tamper protection:	1 x microswitch: opening, 0,5 A@50 V DC max. NC- contacts
Closing:	screwed x 4
Notes:	optional: lockable, distance from wall (mounting surface) - 8mm, easy door removal
Declaration, warranty:	CE, 2 year from the production date