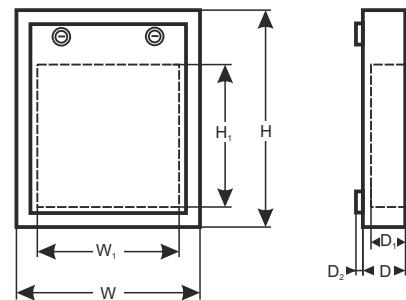


CODE: **AWO528** v.1.2/IV
 NAME: **DVR ENCLOSURE /MINI/VERTICAL**

EN



Installation example:



DESTINATION

The enclosure construction is compliant with the requirements of the General Data Protection Regulation (GDPR), as personal data must be protected and stored securely.

The enclosure protects the recorder against unauthorized access or theft (two keys included). Made of 1 mm steel plate. The set includes two keys (different code) for each lock and a tamper switch indicating enclosure opening or unwanted removal of the enclosure from the wall.

Due to the vertical installation and low depth, it is ideal for places where deeper enclosures or cabinets type Rack19" cannot be installed. After opening the enclosure, the front cover is held in a horizontal position, providing easy access to the buttons on the front panel of DVR.

The enclosure has a special holder with retaining straps that allows for the installation of recorders of the following dimensions: Width up to 260 mm, height: up to 55 mm, depth up to 250mm.

TECHNICAL DATA:

Dimensions:	W=320, H=430, D + D ₂ =82+14 [mm, +/-2]
Dimensions of the recorder compartment:	W ₁ =260, H ₁ =250, D ₂ =55 [mm, +/-2]
Weight net/gross:	5,15kg / 5,30kg [+/-0,1kg]
Operating environment:	class II, -10°C+ 40°C
Material description:	sheet steel DC01, thickness: 1,0mm, corrosion protection, color: RAL 9005 (black matt)
Destination:	indoor
Tamper protection:	2 x microswitch: opening and detachment of the enclosure, 0,5A@50V/DC max. NC- normally closed contacts
Closing:	Lock MR008 (different code) x 2 pcs
Notes:	distance from the wall 14mm The set includes two keys (different code) for each lock
Declarations, warranty:	RoHS, 2 year from the production date