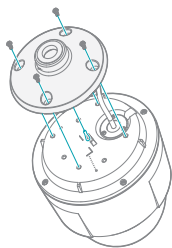


DA-BM1100 INSTALLATION MANUAL



This manual is intended for users of DA-BM1100. It includes instructions for mounting DA-BM1100 to a pipe.



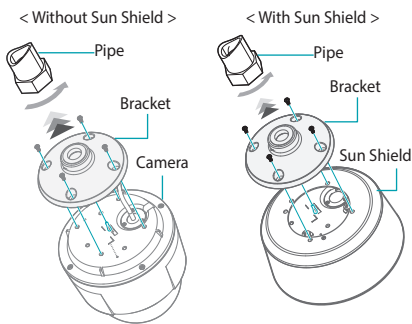
- **This bracket is intended to be used with DC-S series model of camera. Do not use it with other models of cameras.**
- **This installation should be performed by a qualified service personnel in conformance to all local codes.**
- **You may need to reinforce the wall. If the wall is not strong enough to support the camera, the camera may fall.**
- **Do not use this product for other purposes.**

Mounting

Connect the camera to the bracket as follows:

- In case that a universal nut is attached to a pipe, connect the bracket first, then connect it to the pipe as follows:

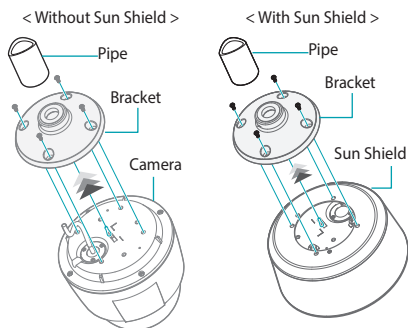
- 1 Remove the install screws from the camera body.
- 2 Hook the safety wire of the bracket on the safety wire ring of the camera body.
- 3 Screw the bracket to the camera body by using the M5 screws provided with the camera.
- 4 Connect the cable from the camera to the pipe.
- 5 Connect the camera to the pipe by **TURNING THE UNIVERSAL NUT.**
- 6 Connect the external devices, network and power adapter.
- 7 Apply power.



Do not turn the camera but turn the universal nut when connecting the camera to the pipe, otherwise, the cable will be twisted.

- In case that a universal nut is not attached to a pipe, connect the bracket to the pipe first, then connect the camera to the bracket as follows:

- 1 Connect the bracket to the pipe by TURNING THE BRACKET.
- 2 Hook the safety wire of the bracket on the safety wire ring of the camera body.
- 3 Connect the cable from the camera to the pipe.
- 4 Remove the install screws from the camera body.
- 5 Screw the camera to the bracket by using the M5 screws provided with the camera.
- 6 Apply power.



Dimensions

Unit: mm (inch)

