

## DS-2CC52D9T-AVPIT3ZE

### 2 MP Ultra-Low Light PoC Dome Camera



#### Key Features

- 2 MP high performance CMOS
- Ultra-Low Light Pro
- 1920 × 1080 resolution
- Auto focus, 2.8 mm to 12 mm motorized vari-focal lens
- 120 dB true WDR, 3D DNR
- EXIR 2.0, smart IR, up to 40 m IR distance
- Dual outputs: 1 HD analog output/1 CVBS output
- PoC.at, smart voltage detection
- 1 alarm in/out
- IP67, IK10
- Up the Coax (HIKVISION-C)



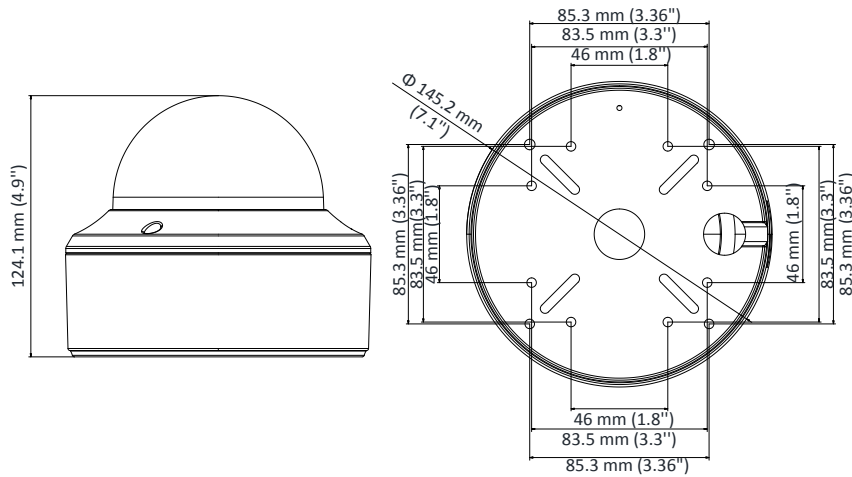
## Specification

<b>Camera</b>	
Image Sensor	2.0 megapixel progressive scan CMOS
Signal System	PAL/NTSC
Effective Resolution	1920 (H) × 1080 (V)
Frame Rate	PAL: 1080p@25fps NTSC: 1080p@30fps
Min. Illumination	0.003 Lux@(F1.2, AGC ON), 0 Lux with IR
Shutter Time	PAL: 1/25 s to 1/50,000 s NTSC: 1/30 s to 1/50,000 s
Slow Shutter	Max.: 30 times
Lens	2.8 mm to 12 mm, motorized vari-focal lens
Horizontal Field of View	32.1° to 98°
Lens Mount	Φ14
Auto Iris	Support
Day & Night	IR cut filter
Angle Adjustment	Pan: 0° to 355°, Tilt: 0° to 75°, Rotate: 0° to 355°
Synchronization	Internal synchronization
WDR	> 120 dB
<b>Menu</b>	
AGC	Support
Day/Night Mode	Auto/Color/BW (White & Black)
White Balance	ATW/AWC-SET/MANUAL
Privacy Mask	ON/OFF, 8 programmable privacy masks
Motion Detection	4 programmable motion areas
Backlight Compensation	WDR/BLC/HLC/OFF
2D & 3D DNR	ON/OFF
Voltage Detection	Support
Scene	Indoor/outdoor/indoor 1/low light
Functions	Defog, Mirror, Defective Pixel Correction, Sharpness, Camera Title, LSC (Lens Shading Correction)
<b>Interface</b>	
Video Output	1 HD analog output/1 CVBS output (75Ω/BNC)
Alarm	1 alarm in/out
<b>General</b>	
Operating Conditions	-40° C to 60° C (-40° F to 140° F), humidity: 90% or less (no condensation)
Power Supply	24 V AC/12 V DC ±30%/PoC.at
Power Consumption	Max.: 6 W
IR Distance	Up to 40 m
Protection Level	IP67, IK10
Material	Metal
Communication	Up the coax, Protocol: HIKVISION-C
Dimensions	Φ 145.2 mm × 124.1 mm (7.1" × 4.9")
Weight	Approx. 2000 g (4.4 lb.)

## Order Model

DS-2CC52D9T-AVPIT3ZE

## Dimensions



## Accessories



**DS-1271ZJ-I40**  
Pendant Mounting Bracket



**DS-1273ZJ-I40**  
Wall Mounting Bracket



**DS-1241ZJ**  
In-Ceiling Mounting Bracket



**DS-1240ZJ**  
Inclined Base Mounting Bracket

Distributed by



### Headquarters

No.555 Qianmo Road, Binjiang District,  
Hangzhou 310051, China  
T +86-571-8807-5998  
overseasbusiness@hikvision.com

**Hikvision USA**  
T +1-909-895-0400  
sales.usa@hikvision.com

**Hikvision Europe**  
T +31-23-5542770  
saleseuro@hikvision.com

**Hikvision Middle East**  
T +971-4-8816086  
salesme@hikvision.com

**Hikvision Russia**  
T +7-495-669-67-99  
saleru@hikvision.com

**Hikvision India**  
T +91-22-28469900  
sales@pramahikvision.com

**Hikvision Italy**  
T +39-0438-6902  
info.it@hikvision.com

**Hikvision France**  
T +33(0)11-85-330-444  
info.fr@hikvision.com

**Hikvision Spain**  
T +34-91-737-16-55  
info.es@hikvision.com

**Hikvision Poland**  
T +48-22-460-01-50  
poland@hikvision.com

**Hikvision UK**  
T +44-1628-9021-4  
support.uk@hikvision.com

**Hikvision Singapore**  
T +65-6684-4718  
sg@hikvision.com

**Hikvision Oceania**  
T +61-2-8599-4233  
salesau@hikvision.com

**Hikvision Hong Kong**  
T +852-2151-1761

**Hikvision Canada**  
T +1-909-895-0400  
sales.usa@hikvision.com