

DS-KIS602(B) Video Intercom Bundle



- IP video intercom bundle for villa or house
- One call button for easier calls
- Stores messages and captured pictures in the TF card
- Convenient Hik-Connect APP Mobile Control
- Including: DS-KD8003-IME1(B)/Surface × 1, DS-KH6320-WTE1 × 1, 4-port standard PoE switch × 1, 16 GB TF card × 1
- Power adapter included in the package

▪ Specification

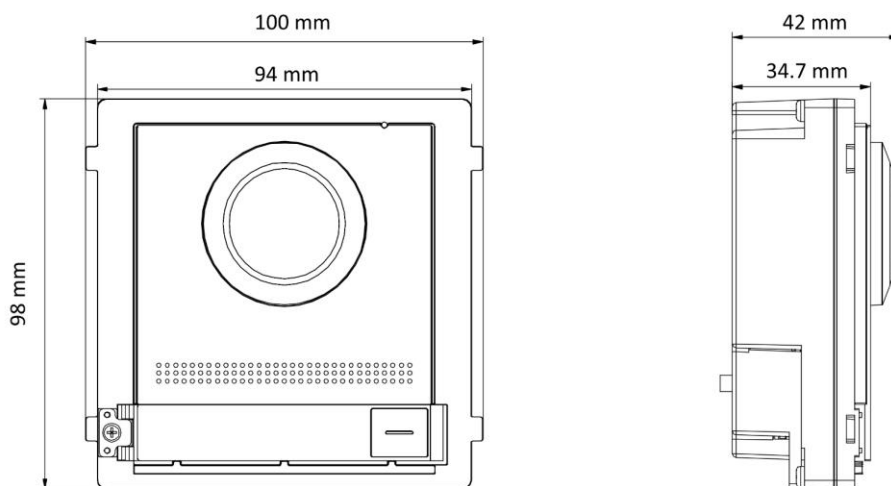
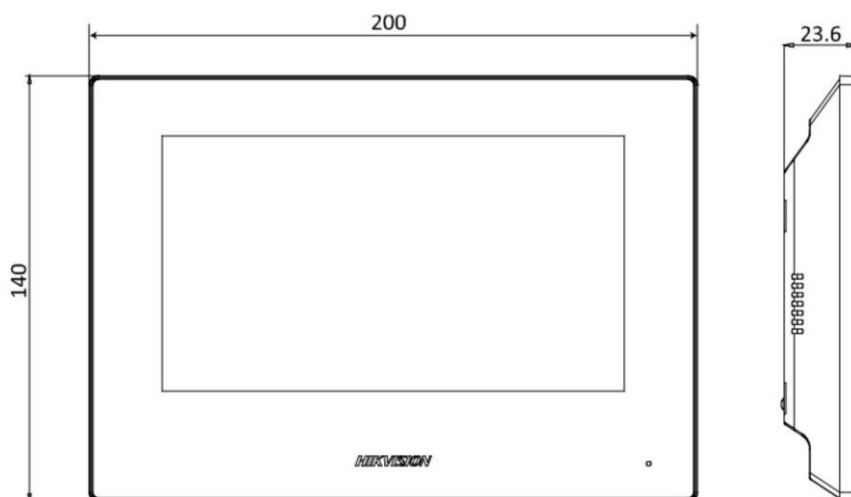
Door station	
System parameters	
Operation system	Embedded Linux operation system
Flash	32 MB
RAM	256 MB
Video parameters	
Camera	2MP HD camera
Night vision	Low illumination IR supplement mode:3 m
Backlight compensation	Support
Digital noise reduction	Support
WDR	Support
Field of view	Horizontal: 146°, Vertical: 82°
Video Compression Standard	H.264
Motion detection	Support
Audio parameters	
Audio input	Built-in omnidirectional microphone
Audio output	Built-in loudspeaker
Audio quality	Noise suppression and echo cancellation
Audio compression standard	G.711 U, G.711 A
Audio compression Rate	64 Kbps
Audio intercom	Two-way audio communication
Network parameters	
Network protocol	TCP/IP, RSTP
Wired network	10/100 Mbps Ethernet
Device interface	
RS-485	1 (1 for Hikvision's sub module communication)
Network interface	1 RJ45
Alarm input	4 (2 exit buttons and 2 door contacts by default)
Debugging port	1
Lock control	2 (2 relay, max to 30 V, 2 A)
TAMPER switch	1
Power interface	12 VDC power output (max to 12 V, 500 mA)
General	
Power consumption	≤ 5 W
Working temperature	-40° C to 60° C (-40° F to 140° F)
Working humidity	10% to 95%
Dimension	Device: 98 mm × 100 mm × 42 mm (3.86" × 3.94" × 1.65") Cover:117 × 107 × 4 mm (4.61" × 4.21" × 0.16") Installation Frame:117 × 107 × 32.7mm (4.61" × 4.21" × 1.29")
Installation	Surface mounting
Protection level	IP65
Indicator	0
Power supply	IEEE802.3af, standard PoE 12 VDC

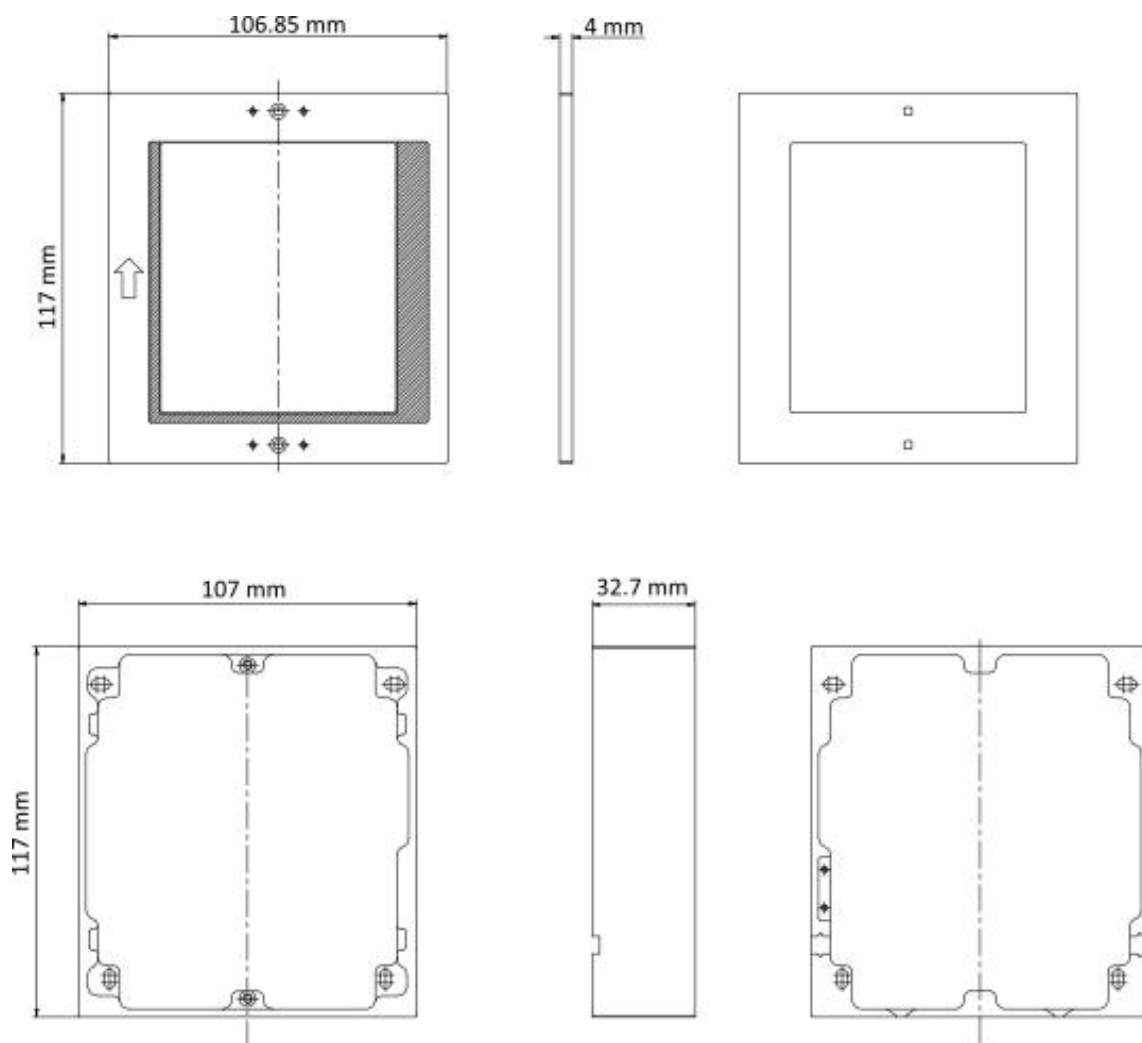
Indoor station	
System parameters	
Operation system	Embedded Linux operation system
Memory	128 MB
Flash	32 MB
Display parameters	
Display screen	7-inch colorful TFT screen
Display resolution	1024 × 600
Operation method	Capacitive touch screen
Audio parameters	
Audio input	Built-in omnidirectional microphone
Audio output	Built-in loudspeaker
Audio quality	Noise suppression and echo cancellation
Audio compression standard	G.711 U, G.711 A
Audio compression Rate	64 Kbps
Network parameters	
Wired network	10/100 Mbps self-adaptive
Wireless network	Wi-Fi 802.11 b/g/n
Protocol	TCP/IP, SIP, RTSP
RS-485	1 RJ-45 10/100 Mbps self-adaptive
Device interface	
RS-485	1
Alarm input	8-ch alarm inputs
Relay output	2
TF card	Max to 32 G, SD 2.0 or lower version
General	
Power consumption	≤ 6 W
Working temperature	-10 °C to 55 °C (14 °F to 131 °F)
Working humidity	10% to 90%
Dimension (L x W x H)	200 mm × 140 mm × 23.6 mm (7.9" × 5.5" × 0.9")

▪ Available Model

DS-KIS602(B)

▪ Dimension





Headquarters

No.555 Qianmo Road, Binjiang District,
Hangzhou 310051, China
T +86-571-8807-5998
www.hikvision.com



Follow us on social media to get the latest product and solution information.

