

DS-QAE0330G1T-V
30W Analog Horn Speaker



- High sensitivity and high sound, long transmission distance
- Multiple power levels are optional
- IP65

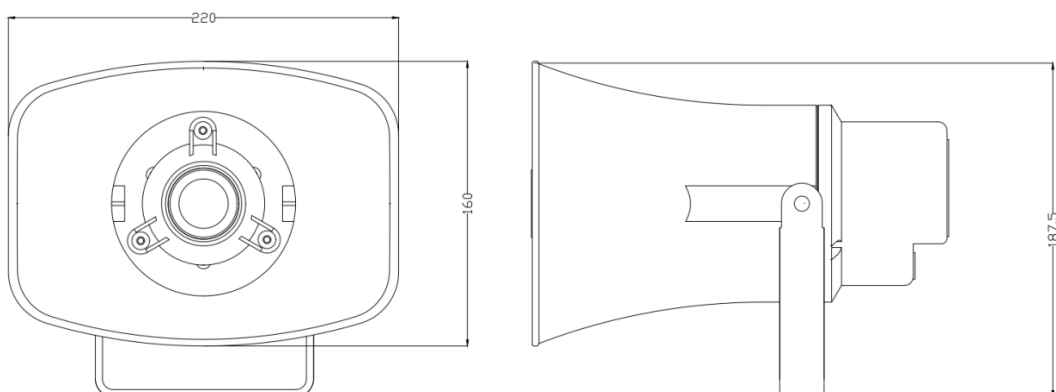
▪ Specification

Speaker	
Rated Power	70V : 2.5W/5W/7.5W/15W/30W ; 100V: 5W/10W/15W/30W
Sensitivity(1 m, 1 W)	108dB±3dB
Max. Acoustic Pressure	120 dB SPL
Frequency Response	250 Hz-8 kHz
Speaker Unit	34-core 2-inch mid-to-high (dome resin film)
Coverage Angle	Horizontal: 75° Vertical: 90°
General	
Material	ABS
Operating Temperature	-20 °C to 55 °C
Operating Humidity	< 90% (No condensation)
Dimension	240mm × 220 mm × 165 mm
Weight	Approx. 1.48 kg
With Package Weight	Approx. 2.05 kg
Color	White
Packing List	Instructions × 1 Regulatory Compliance and Safety Information × 1
Approval	
Protection	IP65

▪ Available Model

DS-QAE0330G1T-V

▪ Dimension



See Far, Go Further



www.hikvision.com
support@hikvision.com

