

DS-QAPMRR-N Network Rectangular Microphone



- Support PoE power supply, enabling convenient connection and quick deployment via network cable
- Equipped with $\varnothing 20$ mm gold-plated large diaphragm (high dynamic range, wide frequency response, optimized sensitivity)
- The microphone features a dual-capsule design with adjustable polar patterns: 360° omni-directional, cardioid, hyper-cardioid, super-cardioid, and figure-8, meeting various pickup requirements
- Built-in professional pop filter sponge, paired with a high directional pickup unit to effectively suppress noise.
- Shielded circuitry, high-quality components, and rigorous testing effectively block electromagnetic interference from external environments
- Specially tuned for conference scenarios with optimized audio quality, it delivers clear, bright, and robust sound featuring rich tonal layers
- Equipped with a built-in DSP chip for digital signal audio transmission
- 48 kHz, 24-bit sampling rate for synchronous lossless transmission
- Support detailed setup of network audio links, network settings, algorithm adjustment, audio tuning, and other related operations via the audio assistant tool

▪ Specification

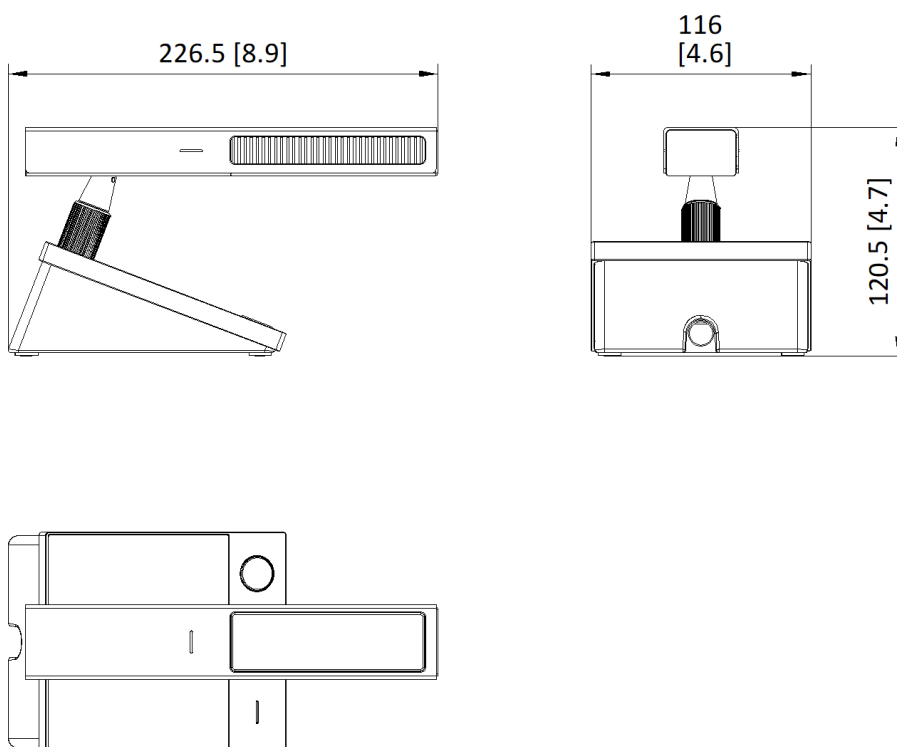
Microphone	
Type	electret
Polar Pattern	360° omni-directional, cardioid (default), hyper-cardioid, super-cardioid, and figure-8
Frequency Response	20 Hz to 20 kHz
Sensitivity	-35 dB
SNR	67 dB
Sampling Rate	48 kHz
Dynamic Range	96 dB
Acoustic Overload Point (AOP)	120 dB (1%THD.@1 kHz)
Total Harmonic Distortion (THD)	<0.1% (94 dB SPL@1 kHz)
Quantization Bits	24 bit
Function	
Audio Algorithm	AFC, AGC, PEQ, NOISE GATE, COMP, 5 adjustable polar patterns
Microphone Abnormal Detection	Support
Network	
Network Protocol	AES67, TCP/IP, ICMP, HTTP, HTTPS, DNS, RTP, RTSP, RTCP, NTP, QoS, UDP, SSL/TLS, IEEE1588
Interface Protocol (API)	OTAP
Network Security	Password protection, complicated password, HTTPS encryption, basic and digest authentication for HTTP/HTTPS, security audit log, TLS 1.2/1.3
Interface	
Network Interface	RJ45 100 M Ethernet port × 1
LED Indicator	<p>1. Microphone status indicator (on the microphone pole):</p> <ul style="list-style-type: none"> Solid red: Microphone is active (capturing audio). Light off: Microphone is muted. <p>2. Speaking status indicator (on the base):</p> <ul style="list-style-type: none"> Solid red: Microphone is active (capturing audio). Light off: Microphone is muted. <p>1+2:</p> <ul style="list-style-type: none"> Breathing White: The device is powering on and initializing. Light turns off after successful startup. Flashing White (10 times): Device recognition is in progress (when there are multiple devices in the system, click Identify Device on the client). Flashing Red: Device fault.
Reset	Support
General	
Power	PoE: 36 V to 57 V, 0.06 A to 0.1 A, max. 3.6W
Material	Metal
Dimension	226.5 mm × 120.5 mm × 116 mm (8.92" × 4.74" × 4.57")
Package Dimension	515 mm × 215 mm × 96 mm (20.28" × 8.46" × 3.78")
Weight	1103 g (2.43 lb.)
With Package Weight	1578 g (3.48 lb.)

System Requirement	<p>Recommended system configuration for Audio Assistant Tool:</p> <p>Operating System: Windows(R) 10 (recommended), Compatible with Windows(R) 7 / Windows(R) 8.1 / Windows(R) 11</p> <p>CPU: Intel(R) i3-9100@4.2 GHz or above</p> <p>RAM: 4 GB and above</p> <p>Video Card: GT1030 D5</p> <p>HDD: 20 GB</p> <p>Display: 1920 × 1080 and above</p>
Color	Silver
Operating Temperature	-10 °C to 50 °C (14 °F to 122 °)
Operating Humidity	90% or less (non-condensing)
System Language	English

▪ **Available Model**

DS-QAPMRR-N

▪ **Dimension**



Unit: mm [inch]

SCALE	1:1
-------	-----

See Far, Go Further



www.hikvision.com
support@hikvision.com

