

DS-QAZ1310G1T-EY(C)
10 W Network Horn Speaker

- Adopt high-speed industrial grade dual core chips, built-in NOR Flash+EMMC dual storage, support dual backup of the system to ensure stable and reliable system performance.
- Support secure startup, user login locking mechanism, and password complexity prompts, support security audit log traceability, and improve system network security.
- Support batch unified management of remote platforms through IP networks (local area networks/public networks) and flexible configuration of local WEB single machines, while also support local audio collection and playback, adapting to various scene applications.
- Support alarm input, arming schedule, and audio linkage, support TTS speech synthesis and text broadcasting, with natural and smooth standard male and female dual audio options.
- Support two-way audio by SIP

▪ Specification

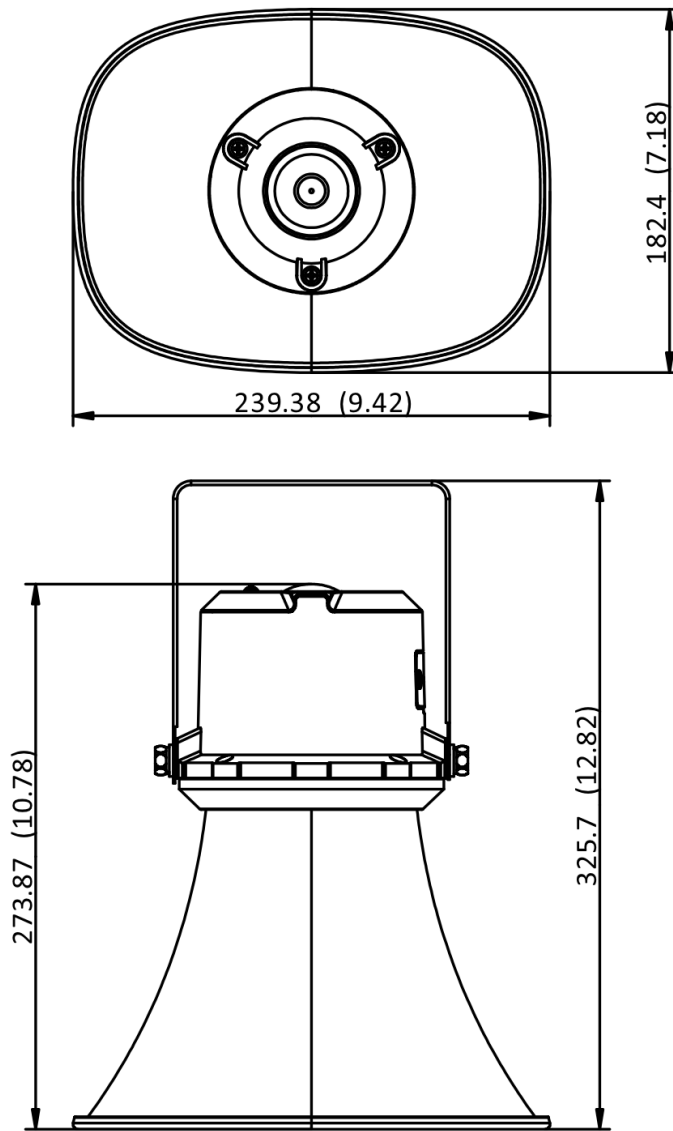
Microphone	
Type	Electret
Amount	2
Frequency Response	100 Hz to 20 kHz
Sensitivity	-42 dBV/Pa
Sampling Rate	48 kHz
Quantization Bits	16-bit
Speaker	
Rated Power	10 W
Impedance	8 Ω
Max. Acoustic Pressure	121 dB SPL
Sensitivity(1 m, 1 W)	110 dB
Direction	70° horizontal by 100° vertical
Frequency Response	300 Hz to 13 kHz
SNR	85 dB
Function	
Audio Algorithm	AEC,AGC,ANS,DRC
Audio Bit Rate	G.711ulaw (64 Kbps)/G.711alaw (64 Kbps)/MP3 (128 Kbps)
Audio File Format	WAV, MP3
NTP Timing	Support
Broadcast	Regular broadcast, live broadcast, emergency broadcast
Two-Way Audio	Support
Speech Synthesis	Language Type: English, Russian, Spanish, Japanese, Thai, Portuguese (Brazil)
Network	
Network Protocol	IPv4, HTTP, HTTPS, SIP, SSL/TLS, DNS, NTP, TCP, UDP, IGMP, ICMP, DHCP, ARP, SSH
Interface Protocol (API)	ISAPI, ISUP, SIP, RTP, ONVIF
Client	Hik-Connect, ivms/4200, HikCentral Professional, Hik-Partner Pro, NVR, MileStone
Communication	
Communication Method	Support wired network communication
Interface	
Alarm	Alarm input ×1
Ethernet Interface	RJ45 10 M/100 M Adaptive Ethernet port × 2
Audio	Line in × 1
Power Output	12 VDC, 25 mA, 0.3 W, PoE: max. 5 W
Local Storage	Built-in 64 GB EMMC (Audio file storage is 55 GB.)
API	ISAPI, ISUP, SIP, ONVIF
Reset	Support
General	
Material	Metal
Operating Temperature	-30 °C to 60 °C (-22 °F to 140 °F)
Operating Humidity	< 90% (No condensation)
Dimension	182.4 mm × 273.87 mm × 239.38 mm (7.18" × 10.78" × 9.42")

Power	12 VDC, 1500 mA, 18 W, PoE: IEEE 802.3at, Class 4
Package Dimension	310 mm × 245 mm × 350 mm (12.2" × 9.6" × 13.8")
Weight	Approx. 2.1 kg (4.63 lb.)
Color	White
With Package Weight	Approx. 3.0 kg (6.61 lb.)
Packing List	Device × 1 Threading cap × 1 Regulatory Compliance and Safety Information × 1
Language	9 languages: English, French, Spanish, German, Italian, Russian, Japanese, Thai, Portuguese (Brazil)
Approval	
Protection	IP67
EMC	CE-EMC: EN 55032:2015+A11:2020+A1:2020, EN IEC 61000-3-2:2019, EN 61000-3-3:2013+A1:2019+A2:2021, EN 55035:2017+A11:2020 RCM: AS/NZS CISPR 32: 2015 IC: ICES-003: Issue 7
Safety	CB: IEC 62368-1:2014 CE-LVD: EN 62368-1:2014/A11:2017
Environment	CE-RoHS: 2011/65/EU WEEE: 2012/19/EU Reach: Regulation (EC) No 1907/2006
Anti-Corrosion Protection	NEMA 4X (NEMA 250-2018)

▪ Available Model

DS-QAZ1310G1T-EY(C)

▪ Dimension



Unit: mm(inch)

See Far, Go Further



www.hikvision.com
support@hikvision.com

