



SBO-090GP

Gang Plate



Key Features

- Color: White
- Material: Core-Aluminum / Cap-Plastic
- Dimensions/ Weight: $\phi 140 \times 13.2 \text{mm} (\phi 5.52 \times 0.52") / 190 \text{g} (0.42 \text{lb})$
- Mount Screw size: TR20

SBO-090GP

Gang Plate



Specifications

Mechanical	
Color	White
Material	Aluminum
RAL code	RAL9003
Product dimensions / weight	ø140x13.2mm / 190g
Mount Screw size	TR20
Supported products	QNO-C6083R, QNO-C8083R, QNO-C9083R ※ For further compatible models, please visit our website or use Toolbox

SBO-090GP

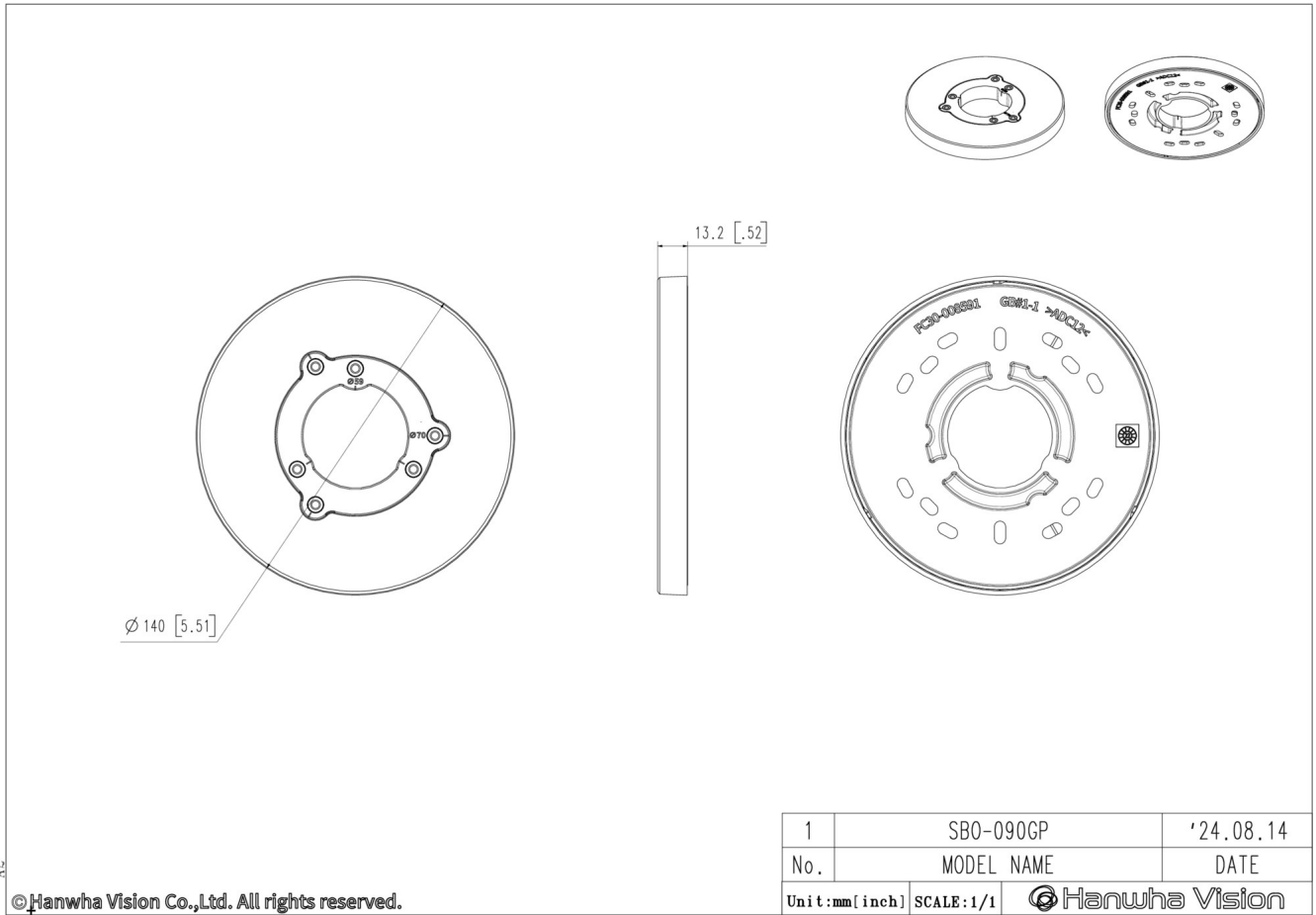
SBO-090GP

Gang Plate



CAD

Unit: mm [inch]



© Hanwha Vision Co., Ltd. All rights reserved.