



SBP-142CMW

Hanging Adaptor



Key Features

- Color : White
- Material : Aluminum
- Product dimensions / weight : 74.3x58x19.8mm(2.93x2.29x0.78") / 380g (0.84lb)

SBP-142CMW

Hanging Adaptor



Specifications

Mechanical	
Color	White
Material	Aluminum
RAL code	RAL9003
Product dimensions / weight	74.3x58x19.8mm / 380g
Mount Screw size	Hexagon(6mm)
Max. load	3.5kg
Supported products	TNM-C3620TDR ※ For further compatible models, please visit our website or use Toolbox

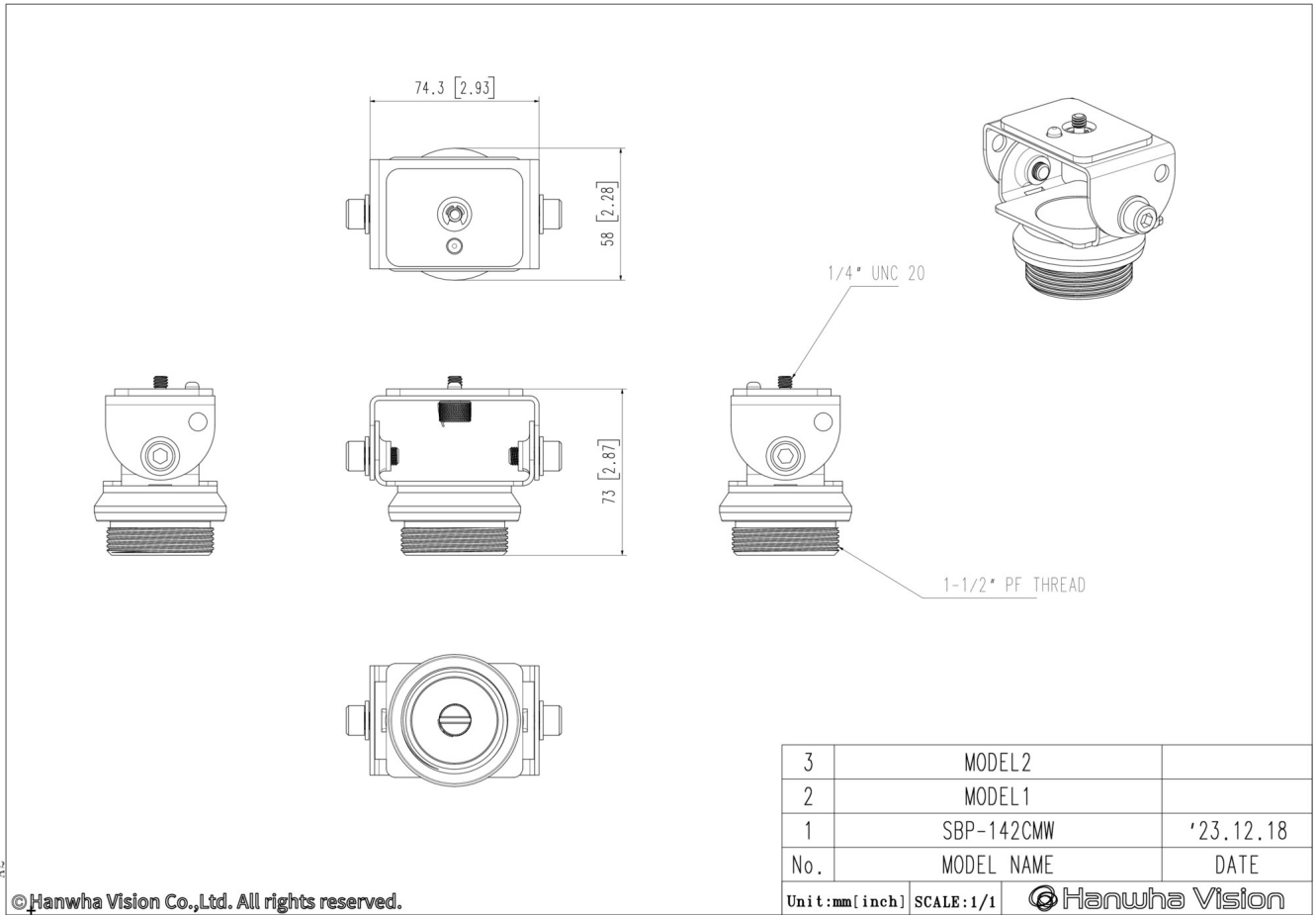
SBP-142CMW

Hanging Adaptor



CAD

Unit: mm [inch]



A2

© Hanwha Vision Co., Ltd. All rights reserved.