



# SBP-156HMW

Hanging Adaptor



## Key Features

- Material : Aluminum
- Color : White
- Dimensions :  $\Phi 95.5 \times 84.0$  mm (  $\Phi 3.76 \times 3.31$  ")

## Compatible Devices

---



XNP-9300RW



XNP-8300RW



XNP-6400RW

# SBP-156HMW

Hanging Adaptor



## Specifications

Mechanical	
Color	White
Material	Aluminum
RAL code	RAL9003
Product dimensions / weight	ø95.5x84mm / 200g
Mount Screw size	TR30
Max. load	5kg
Supported products	XNP-C9310R, XNP-C9303RW, XNP-C9253R, XNP-C9253 ※ For further compatible models, please visit our website or use Toolbox

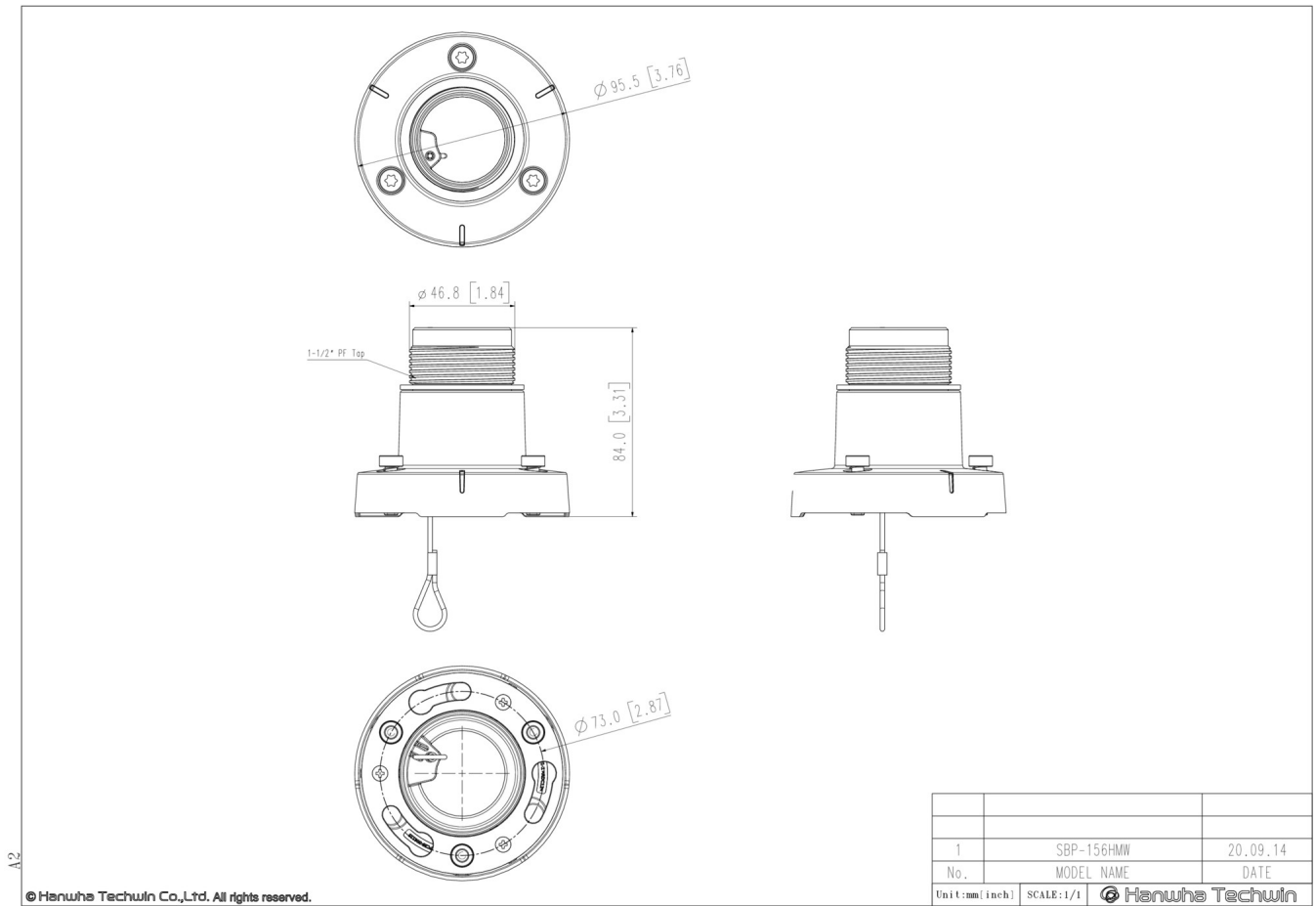
# SBP-156HMW

Hanging Adaptor



CAD

Unit: mm [inch]



A2

© Hanwha Techwin Co.,Ltd. All rights reserved.