



SBV-180BW

Back Box



Key Features

- Material : Aluminum
 - Dimensions : Ø183.8x51mm(Ø7.23x2.01")
 - Weight : 650g
 - Color : White
- Supported products: XND-C9083RV/C8083RV/C7083RV/C6083RV,
XND-C9083R/C8083R/C7083R/C6083R,
XND-9083RV/8093RV/8083RV/6083RV, XNV-9083R/8093R/8083R/6083R,
XND-9082RV/8082RV, XNV-9082R/8082R

Compatible Devices



XNV-8093R



XND-6083RV



XND-C6083RV



XNV-9083R



XND-C9083RV



XND-C8083RV



XND-9083RV



XNV-6083R



XND-C7083RV



XND-8093RV



XND-8083RV



XND-8082RV



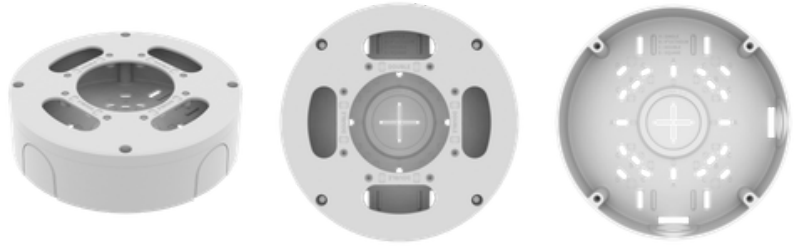
XNV-9082R



XNV-8082R

SBV-180BW

Back Box



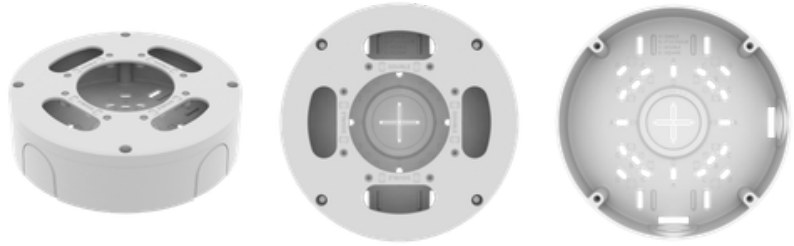
Specifications

Environmental	
Certification	None
Mechanical	
Color	White
Material	Aluminum
RAL code	RAL9003
Product dimensions / weight	ø183.8x51mm / 650g
Mount Screw size	TR20
Max. load	5kg
Conduit hole	19.1mm(3/4")(M25)
Supported products	XND-C6083RV, XND-C7083RV, XND-C8083RV, XND-C9083RV, XNV-6083R, XNV-8083R, XNV-8093R, XNV-9083R ※ For further compatible models, please visit our website or use Toolbox

SBV-180BW

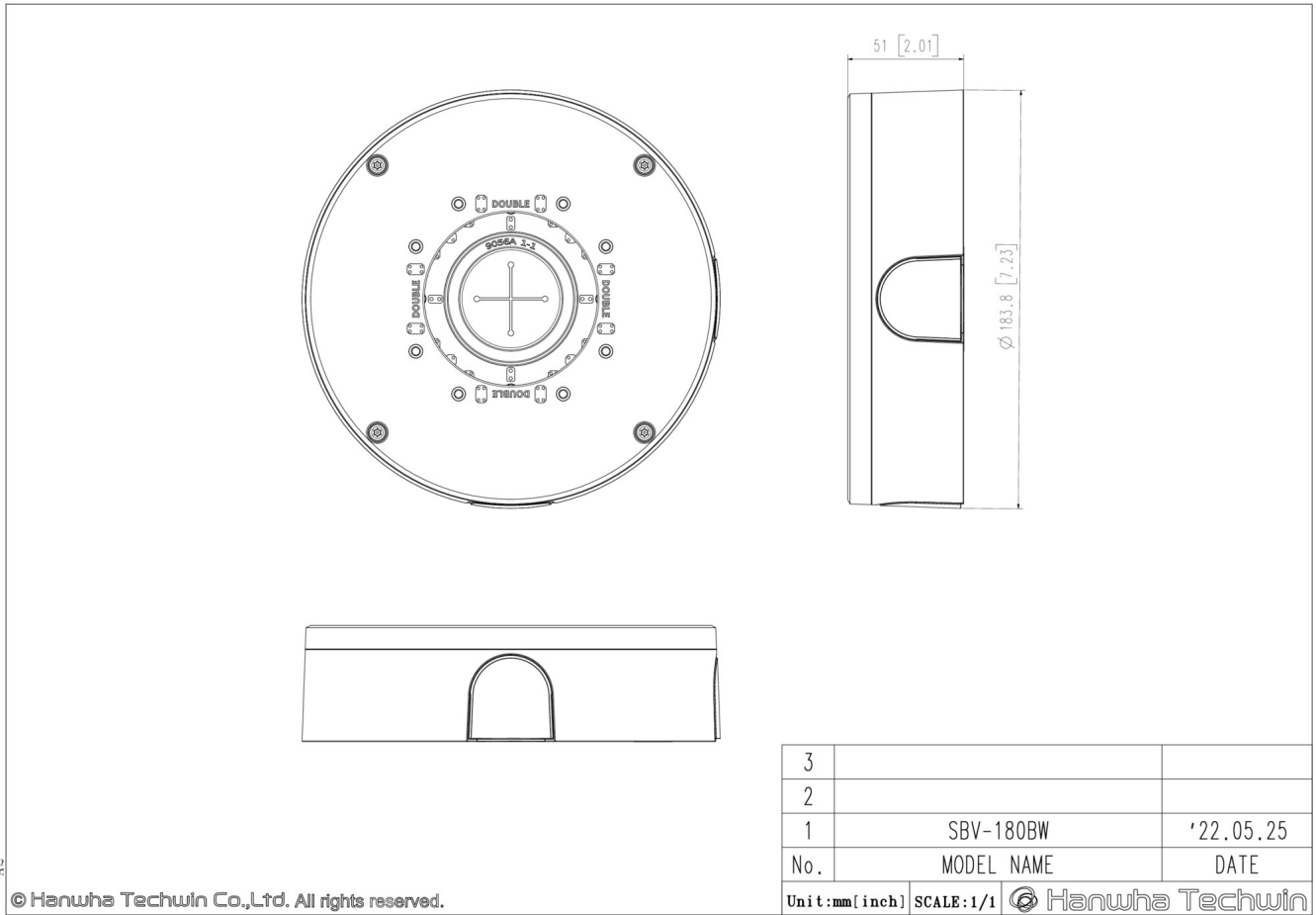
SBV-180BW

Back Box



CAD

Unit: mm [inch]



A2

© Hanwha Techwin Co., Ltd. All rights reserved.