



# SPA-C100B

IP Ceiling Speaker



## Key Features

- Output Level: +6dBV  $\pm$  3dB
- Frequency Response: 20Hz ~ 20kHz
- Amplifier: Built in 10W Class D
- Power: PoE (IEEE 802.3 af type 1 Class 3), PoE+ (IEEE 802.3 at type 2 Class 4)
- Internal Memory: 1 GBytes
- Max. Sound Pressure Level: 100dB
- Frequency Range (-10dB): 120Hz-20kHz
- Sensitivity (1Watt): 90dB
- Supported Protocol: IPv4, HTTP, SIP, mDNS, DNS, NTP, TCP, UDP, DHCP, ARP, ICMP
- TTS: English(US, UK), German, French, Spanish, Russian
- Audio Monitoring: Speaker, Connection test

# SPA-C100B

IP Ceiling Speaker



## Specifications

|                                  |   |
|----------------------------------|---|
| <b>Product</b>                   |   |
| Type                             | IP Ceiling Speaker  |
| <b>Line Output</b>               |   |
| Output Level                     | +6dBV ± 3dB   |
| Frequency Response               | 20Hz ~ 20kHz  |
| THD + N Ratio (AES17 LPF)        | Less than 0.1%  |
| S/N Ratio (20kHz LPF, A-WTD)     | Greater than 91dB   |
| <b>Amplifier</b>                 |   |
| Description                      | Built in 10W Class D  |
| <b>Network</b>                   |   |
| Ethernet                         | 10/100 Base-T   |
| <b>Memory</b>                    |   |
| Internal Memory                  | 1 GBytes  |
| External Memory (Micro SD)       | SDHC upto 32GB (SANDISK)                                    |
| <b>Contact</b>                   |   |
| Contact Input. Dry contact       | One channel   |
| Contact Output. Dry contact (NO) | One channel   |
| <b>General</b>                   |   |
| Operating Temperature            | -20 ~ +50°C (-4°F ~ +122°F)                                 |
| Operating Humidity               | 10~85% RH (Non-Condensing)                                  |
| Weight                           | 1.8Kg   |
| Size                             | Φ269*142.5(H)mm   |
| Color                            | Black/White   |
| Certificate                      | EMC : KS C 9832/9835, EN 55032/55035<br>Safety : KC 62368-1 |
| <b>Power</b>                     |   |
| PoE                              | PoE (IEEE 802.3 af type 1 Class 3)                          |
| PoE+                             | PoE+(IEEE 802.3 at type 2 Class 4)                          |
| <b>Embedded MIC</b>              |   |
| Input Sensitivity                | Sound Level Meter   |
| Frequency Response               | Sound Level Meter   |

Design and specifications are subject to change without notice. The latest product information / specification can be found at [HanwhaVision.com](http://HanwhaVision.com).

Hanwha Vision is formerly known as Hanwha Techwin.

## Audio

|                        |   |
|------------------------|---|
| Supported Audio Format | WAV, MP3 in mono/stereo from 64 kbps to 320 kbps.<br>Sampling rate from 16 kHz up to 48 kHz |
|------------------------|---|

## Speaker

|                                  |  |
|----------------------------------|--|
| Speaker Component                | 2Way 8" LF Driver & 2" HF Driver. Passive type |
| Max. Sound Pressure Level (PoE)  | 96dB   |
| Max. Sound Pressure Level (PoE+) | 100dB  |
| Frequency Range (-10dB)          | 120Hz~20kHz                                    |
| Sensitivity (1Watt)              | 90dB   |
| Coverage Pattern                 | (HxV) : 90°(1kHz) / 60°(4kHz)                  |

## Network Protocol

|                     |   |
|---------------------|---|
| Security            | Password protection : admin,setup,user,guest<br>(sha-2, Digest authentication, User access log)<br>Digest authentication, User access log |
| Supported Protocols | IPv4, HTTP, SIP, mDNS, DNS, NTP, TCP, UDP, DHCP, ARP, ICMP  |

## System Integration

|   |   |
|---|---|
| API (Application Programming Interface) | SUNAPI  |
| Multi-source Dynamic PA control         | Multi-source up to 48 (Multicast) (Audio 24CH + Mic 24CH)<br>Up to 256 Zone Control (Multicast)<br>Up to 20 Zone Control (Unicast)<br>Up to 255 Groups  |
| VoIP                                    | Tested with SIP clients such as Grandstream, Yealink, Cisco, MicroSIP softphone and PBX supplier such as Asterisk<br>Tested with SIP client such as Grandstream and PBX supplier such as Grandstream<br>Supported SIP features: DTMF (RFC2833)<br>Supported codecs: PCMU, PCMA, speex/8000, speex/16000 |
| TTS                                     | English(US, UK), German, French, Spanish, Russian   |
| Audio Monitoring                        | Speaker test by graphic level meter (Built in test tool)  |
| Event & Preset                          | Virtual Contact, Dry contact  |
| Functional Monitoring                   | Connection verification, Built-in system logging  |

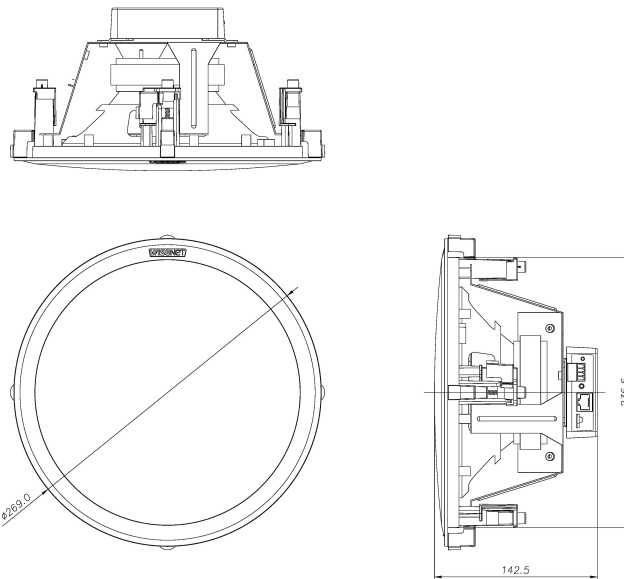
# SPA-C100B

IP Ceiling Speaker



CAD

Unit:mm [inch]



|                         |            |  |
|-------------------------|------------|--|
| 3                       | MODEL2     |  |
| 2                       | MODEL1     |  |
| 1                       | SPA-C100BW | '22.7.15   |
| No.                     | MODEL NAME | DATE   |
| Unit:mm[inch] SCALE:1/1 |            |  Hanwha Techwin |

© Hanwha Techwin Co.,Ltd. All rights reserved.