



Network

Positioning

TNU-6321

2MP Positioning Camera



Key Features

- Max. 2megapixel (1920 x 1080) resolution
- 4.44 ~ 142.6mm (32x) varifocal lens
- Max. 60fps@2MP (H.265/H.264), Max. 30fps@2MP (MJPEG)
- H.265, H.264, MJPEG codec support
- Day & Night (ICR), WDR (120dB), Defog
- Tampering, Virtual line, Enter / Exit, (Dis)Appear, Audio detection
- Face detection, Motion detection
- microSD / SDHC / SDXC slot

Compatible Accessories (Optional)



SPI-50



SBU-500WM

TNU-6321

2MP Positioning Camera



Specifications

Video

Imaging Device	1/2.8" CMOS
Resolution	1920x1080, 1280x1024, 1280x960, 1280x720, 1024x768, 800x600, 800x448, 720x576, 720x480, 640x480, 640x360, 320x240
Max. Framerate	H.265/H.264: Max. 60fps/50fps(60Hz/50Hz) MJPEG: Max. 30fps
Min. Illumination	Color: 0.05Lux(F1.6, 1/30sec) B/W: 0.005 Lux(F1.6, 1/30sec)
Video Out	CVBS: 1.0 Vp-p / 75Ω composite, 720x480(N), 720x576(P), for installation

Lens

Focal Length (Zoom Ratio)	4.44~142.6mm(32x) zoom
Max. Aperture Ratio	F1.6(Wide)~F4.4(Tele)
Angular Field of View	H: 61.8(Wide)~2.19(Tele) / V: 36.2(Wide)~1.24(Tele)
Min. Object Distance	1.5m(4.92ft)
Focus Control	Auto, One shot AF
Lens Type	DC auto iris

Pan / Tilt / Rotate

Pan Range	360 Endless
Pan Speed	0.036°~120°/sec
Tilt Range	-90~40
Tilt Speed	0.012°~ 40°/sec
Sequence	Preset(255ea), Swing, Group(6ea), Tour(1ea), Auto Run, Schedule
Preset Accuracy	±0.3

Operational

Camera Title	Displayed up to 85 characters
Direction Indicator	Support
Day & Night	Auto(ICR)
Backlight Compensation	BLC, HLC, WDR, SDR
Wide Dynamic Range	120dB
Digital Noise Reduction	SSNR V
Digital Image Stabilization	Support
Defog	Support
Motion Detection	8ea, 8point polygonal zones
Gain Control	Low, Middle, High
White Balance	ATW, AWC, Manual, Indoor, Outdoor
Electronic Shutter Speed	Minimum, Maximum, Anti flicker (1~1/12,000sec)
Analytics	Defocus detection, Directional detection, Fog detection, Face detection, Motion detection, Appear/Disappear, Enter/Exit, Loitering, Tampering, Virtual line, Audio detection
Alarm I/O	Input 1ea / Output 1ea
Alarm Triggers	Analytics, Network disconnect, Alarm input

Alarm Events	File upload via FTP and E-Mail Notification via E-Mail SD/SDHC/SDXC or NAS recording at event triggers Alarm output Handover
Audio In	Selectable(Mic in/Line in), Supply voltage: 2.5VDC(4mA), Input impedance: 2K Ohm
Audio Out	Line out, Max.output level: 1Vrms
IR Illuminator (Optional)	Support (Auto/Manual)
Water Removal	Support (with Wiper)

Network

Ethernet	RJ-45(10/100BASE-T)
Video Compression	H.265/H.264: Main/Baseline/High, MJPEG
Audio Compression	G.711 u-law, G.726 G.726(ADPCM) 8KHz, G.711 8KHz G.726: 16Kbps, 24Kbps, 32Kbps, 40Kbps AAC-LC: 48Kbps at 16KHz
Smart Codec	Manual(Sea area), WiseStream II
Bitrate Control	H.264/H.265: CBR or VBR MJPEG: VBR
Streaming	Unicast(20 users), Multicast Multiple streaming(Up to 10 profiles)
Protocol	IPv4, IPv6, TCP/IP, UDP/IP, RTP(UDP), RTP(TCP), RTCP, RTSP, NTP, HTTP, HTTPS, SSL/TLS, DHCP, FTP, SMTP, ICMP, IGMP, SNMPv1/v2c/v3(MIB-2), ARP, DNS, DDNS, QoS, PIM-SM, UPnP, Bonjour, LLDP, SRTT
Security	HTTPS(SSL) login authentication Digest login authentication IP address filtering User access log 802.1X authentication(EAP-TLS, EAP-LEAP)
Application Programming Interface	ONVIF Profile S/G/T SUNAPI(HTTP API) Wisenet open platform

General

Webpage Language	English, Korean, Chinese, French, Italian, Spanish, German, Japanese, Russian, Portuguese, Czech, Polish, Turkish, Dutch, Hungarian, Greek
Edge Storage	Micro SD/SDHC/SDXC 1slot 256GB
Memory	1024MB RAM, 256MB Flash

Environmental & Electrical

Operating Temperature / Humidity	-40°C~+55°C(-40°F ~ +131°F) / Less than 90% RH
Storage Temperature / Humidity	-40°C~+60°C(-40°F ~ +140°F) / Less than 90% RH
Certification	IP66, Safety(UL, KC-SDOC), EMC(FCC, CE, VCCI, RCM, KC), IK10(Except wiper & window)
Input Voltage	24VAC
Power Consumption	Max 100W(Heater On), typical 25W(Heater Off)

Mechanical

Color / Material	White / Aluminum
RAL Code	RAL9003
Product Dimensions / Weight	219(W)×528.2(H)×460(D)mm (8.62x20.79x18.11"), 14Kg (30.86 lb)

DORI (EN62676-4 standard)

Detect (25PPM/ 8PPF)	Wide: 64.2m(210.50ft) / Tele: 2.009.0m(6,591.31ft)
Observe (63PPM/ 19PPF)	Wide: 25.7m(84.20ft) / Tele: 803.6m(2,636.53ft)
Recognize (125PPM/ 38PPF)	Wide: 12.8m(42.10ft) / Tele: 401.8m(1,318.26ft)
Identify (250PPM/ 76PPF)	Wide: 6.4m(21.05ft) / Tele: 200.9m(659.13ft)

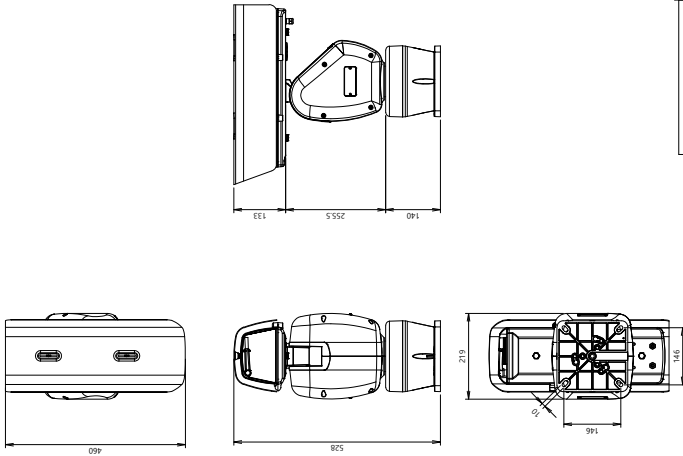
TNU-6321

2MP Positioning Camera



Unit: mm [inch]

NO.	DESCRIPTION	DATE
		2017.07.17



FINISH	DRW/NO/
MATERIAL	DESCRIP TION
DESIGN	APPR OVE
DATE	MODEL NO./REV
2017.09.13	TNU-6321
FILE NAME	SIZE
TOLER ANCE	
UNIT	
SCALE	
1:1	
1:2	
1:3	
1:4	
1:5	
1:6	
1:8	
1:10	
1:15	
1:20	
1:30	
1:40	
1:50	
1:60	
1:80	
1:100	

Hanwha Techwin