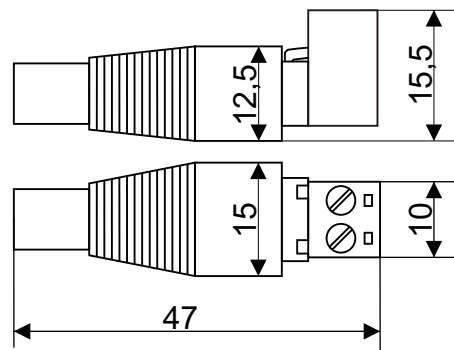


CODE: **ML108** v.1.0/II
 TYPE: **Reduction cable-outlet DC5,5/2,1**

EN*



DESCRIPTION

Reduction cable-outlet DC 5,5/2,1 - enables easy connection of the receivers that end with a power wire with a plug of DC5,5/2,1 type e.g. PSA, PSD, PSC.

SPECYFICATION

Operation voltage:	30V DC max.
Maximum current:	2A
Plug:	DC 5,5/2,1, male
Cable connector:	Φ0,41±1,63 (AWG 26-14)