

PSC series power supply

Switch mode power supply 12VDC, IP67



CODE: **PSC12030**
 TYPE: **PSC 12V/3A switch mode power supply**

EN/III

Features of the power supply unit:

- power output 3A/12VDC
- universal AC input voltage range 90÷264V
- high efficiency 83%
- standby power <0,3W
- efficiency level: V
- IP 67 case
- protections:
 - SCP short-circuit protection
 - overvoltage protection (AC input)
 - overload (OLP)
- warranty – 2 year from the production date

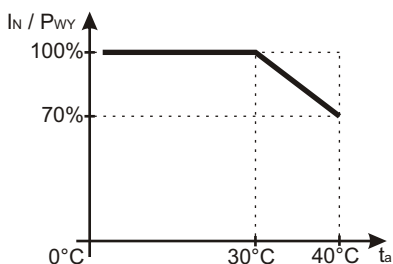


DESCRIPTION

Stabilized DC power supply is intended for supply equipments that require stabilised voltage of **12V DC**. When connected to fuse blocks of the LB4/xx/xx or LB8/xx/xx family, the power supply unit can feed more equipments (max. 4 or 8). The power supply unit is protected against short-circuit, overload and overvoltage.

SPECIFICATIONS.

Supply voltage	90 ÷ 264 V AC 50÷60Hz
Current consumption	0,37A@230VAC max.
Supply power	36W max.
Efficiency	83%
Output voltage	12V DC
Output current	3 A
Output current $t_{AMB}<30^{\circ}C$	3 A - refer to graph 1.
Output current $t_{AMB}=40^{\circ}C$	2,1 A - refer to graph 1.
Ripple voltage	100mV p-p max.
Short-circuit protection SCP	electronic, automatic recovery
Overload protection OLP	150-200% of power supply, automatic recovery
IP protection class	IP67
Operation conditions	temperature $-10^{\circ}C\div+40^{\circ}C$ relative humidity 20%...90% without condensation
Dimensions (LxWxH)	135 x 50 x33 [mm]
Net/gross weight	0,31kg / 0,34kg
Protection class PN-EN 60950-1:2007	II (second)
Length of DC cable	0,3 m
Length of AC cable	0,3 m
Storage temperature	$-20^{\circ}C\div+60^{\circ}C$



Graph 1.
Relation between output current and ambient temperature.

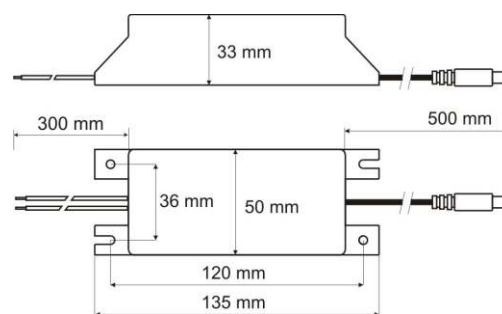
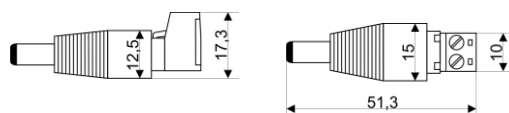


Fig.1
Dimension of power supply.

ACCESORIES

ACCESORIES :
 [1] adapter CABLE - PLUG DC 5,5/2,1 - code ML109



For power supplies are available accessories - fuse blocks and cable adapter. For details –visit www.pulsar.pl.