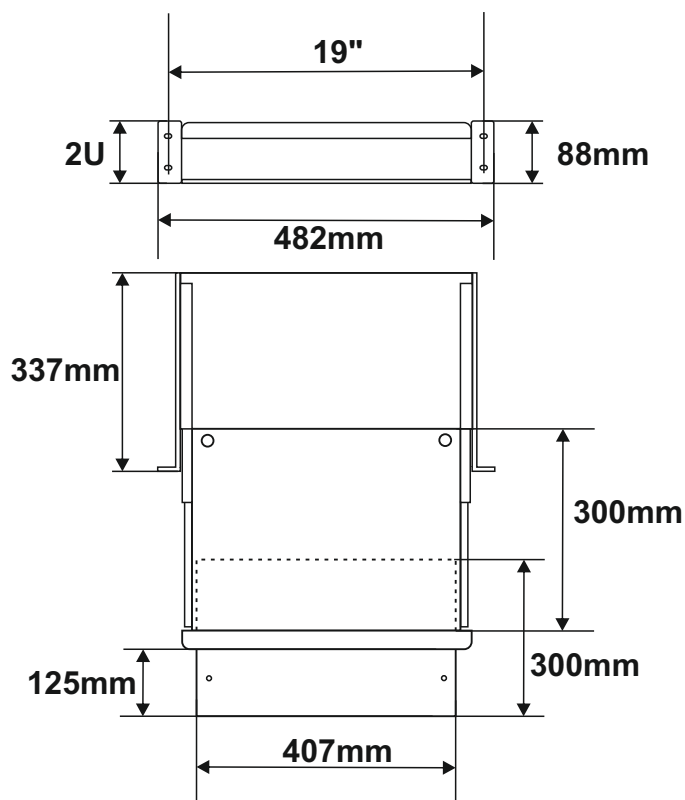


CODE: **RAPW-K v1.0/II**  
 NAME: **Sliding keyboard and mouse shelf**

EN



### INTENDED USE

The sliding keyboard and mouse shelf is intended for floor standing RACK cabinets that require installing a computer to monitor/configure devices of a given system.

### SPECIFICATIONS

<b>External dimensions:</b>	W=482, H=88, D=356 [mm, +/-2]
<b>Mounting dimensions:</b>	W=19", H=2U
<b>Net/gross weight:</b>	7,5 / 8 [kg]
<b>Materials:</b>	1,2 mm cold-rolled steel (SPCC), RAL 9004
<b>Static load:</b>	20 kg
<b>Use:</b>	inside
<b>Notes:</b>	- four-point fixing to the front RACK rails - 4 M6 screws + cage nuts included