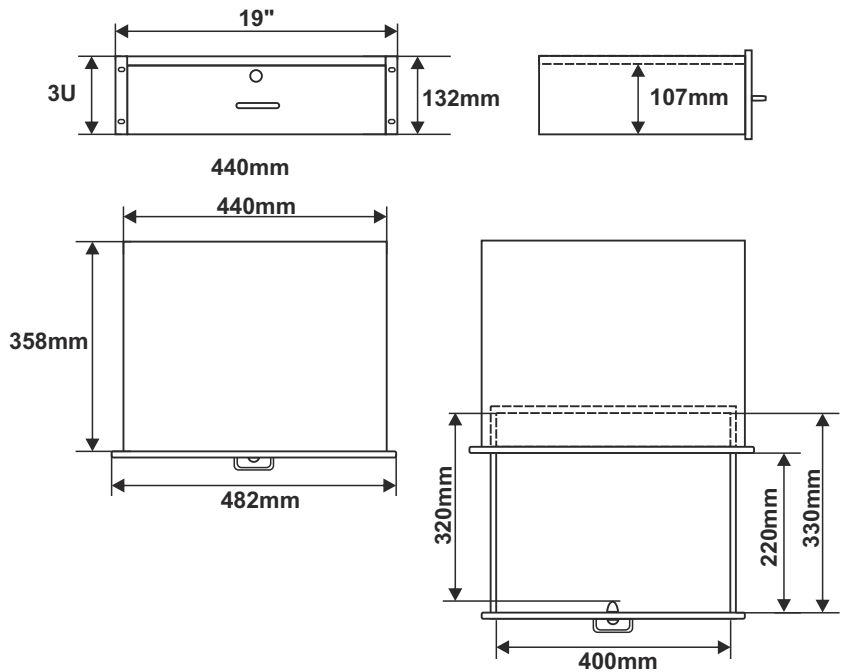


CODE: RASR3 v1.0/III  
 NAME: RACK drawer 3U

EN\*



**INTENDED USE**

The 3U high RACK drawer is intended for storing / mounting supplementary elements in RACK cabinets.

**SPECIFICATIONS**

<b>Mounting dimensions:</b>	W=19" H=3U
<b>Internal dimensions:</b>	W1=400 H1=107 D1=330 (320) [+/- 2mm]
<b>Net/gross weight:</b>	8,9 /9 [kg]
<b>Materials:</b>	1,2 and 1,5 cold-rolled steel (SPCC), RAL 9004
<b>Use:</b>	inside
<b>Warranty:</b>	2 year from the production date
<b>Notes:</b>	- locked from the front (2 keys included) - fixing to the front RACK rails - sliding drawer - fully extendable - 4 M6 screws + cage nuts include