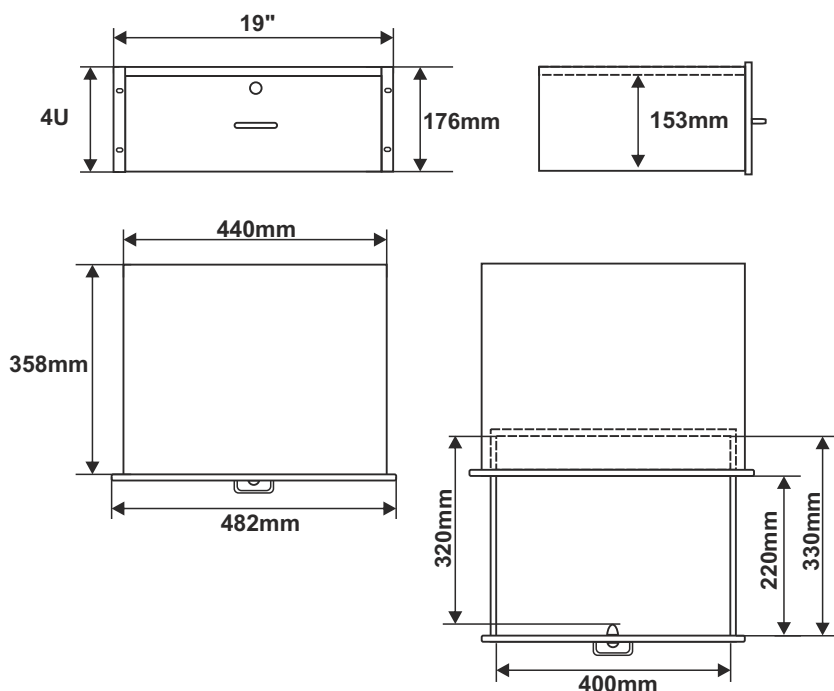


CODE: RASR4 v1.0/III  
 NAME: RACK drawer 4U

EN\*



### INTENDED USE

The 4U high RACK drawer is intended for storing / mounting supplementary elements in RACK cabinets.

### SPECIFICATIONS

<b>Mounting dimensions:</b>	W=19" H=4U
<b>Internal dimensions:</b>	W1=400 H1=153 D1=330 (320) [+/- 2mm]
<b>Net/gross weight:</b>	8,5 /9,24 [kg]
<b>Materials::</b>	1,2 and 1,5 cold-rolled steel (SPCC), RAL 9004
<b>Use:</b>	inside
<b>Warranty:</b>	2 year from the production date
<b>Notes:</b>	<ul style="list-style-type: none"> <li>- locked from the front (2 keys included)</li> <li>- fixing to the front RACK rails</li> <li>- sliding drawer - fully extendable</li> <li>- 4 M6 screws + cage nuts included</li> </ul>