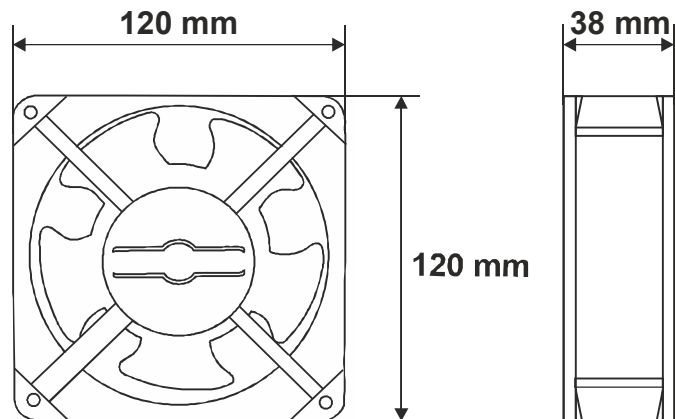


CODE: **RAW2** v1.0/V

EN

NAME: **Fan 2/230 for wall mounted cabinets type: RWA, RW, RWD****INTENDED USE**

The fans are intended for mounting inside the top panel of a suspended RACK cabinet. They induce airflow inside the cabinet.

SPECIFICATIONS

Mounting dimensions:	W=105, H=105
External dimensions:	W=120, H=120, D=38 [mm, +/-2], L=2m
Rated voltage:	220±240V AC / 50/60Hz
Rated current:	0,1±0,12A
Net/gross weight:	1,3 / 1,4 [kg]
Materials:	- aluminium alloy, RAL 9004 - 2 fans 230VAC, air flowing 2 x 50±110CBM/H (1 fan - 1850 rev/min, 37dB)
Use:	inside
Notes:	- mounted from the inside, to the top panel of the RACK cabinet - 8 screws included - fixed network cable 230VAC, L _z =2m