

SBO-147B

Back Box



FC |  | CE | EAC

Key Features

- Dimension : $\varnothing 147.5 \times 73.3$ mm (5.81x2.89")
- Weight : 980g (2.16 lb)
- Material : Aluminium
- Color : Dark Grey
- Compatible model : QNO-6082R

Environmental

Certification	IP66, IK10
---------------	------------

Mechanical

Color	Dark grey
-------	-----------

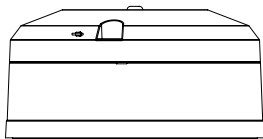
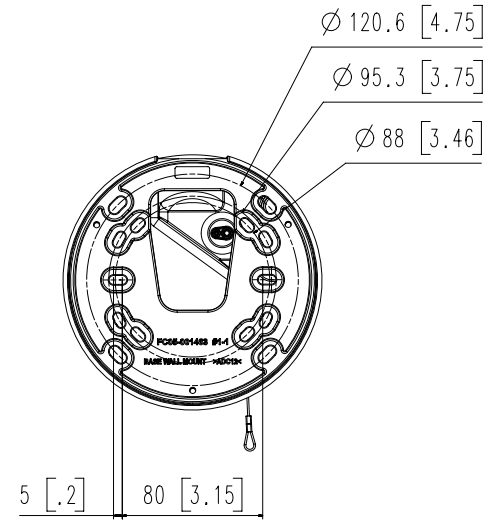
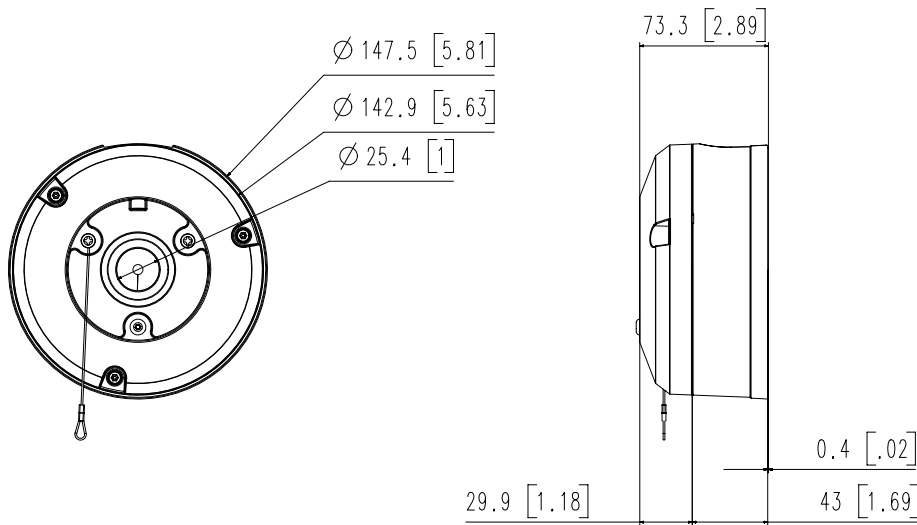
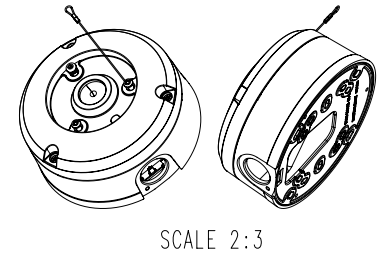
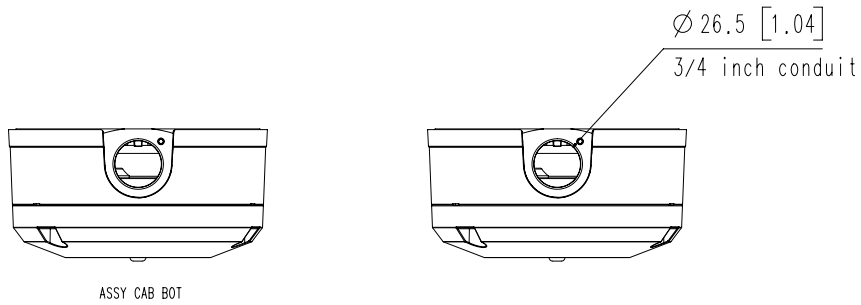
Material	Aluminum
----------	----------

Product dimensions / weight	Ø147.5x73.3mm (5.81x2.89"), 980g (2.16 lb)
-----------------------------	--

Conduit hole	26.5mm (1.04")
--------------	----------------

Supported products	QNO-6082R ※ For further compatible models, please visit our website or use Toolbox
--------------------	---

- The latest product information / specification can be found at hanwha-security.com
- Design and specifications are subject to change without notice.
- Wisenet is the proprietary brand of Hanwha Techwin, formerly known as Samsung Techwin.



1	SBO-147B	'21.01.20
No.	MODEL NAME	DATE
Unit:mm[inch]	SCALE:1/1	© Hanwha Techwin