

TNU-6320E

2M 32x Network Explosion-proof PTZ Camera

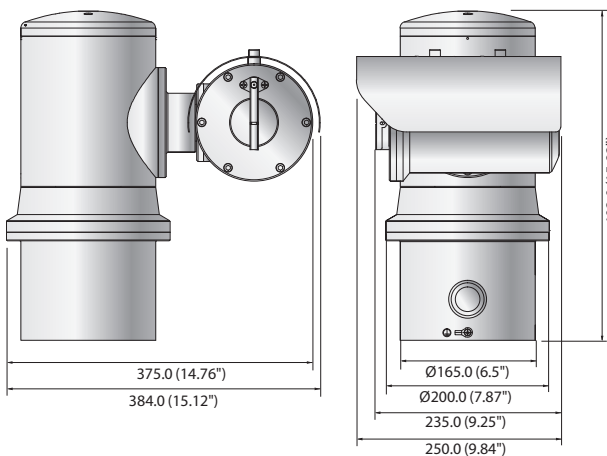


Key Features

- Max. 2megapixel (1920 x 1080) resolution
- Max. 60fps@2M all resolutions
- 4.44 ~ 142.6mm (32x) optical zoom, 16x digital zoom
- 0.15Lux@F1.6(color), 0.015Lux@F1.6(B/W)
- H.264, MJPEG dual codec, Multiple streaming
- Day & Night (ICR), WDR (120dB)
- Pan/Tilt : 50°/sec (Preset), Endless rotation, 255 preset
- Face detection, Tampering, Virtual line support
- Explosion-proof certificate : CE2460 EX II 2 GD Ex d IIC T6 Gb IP67 Ex tb IIIC T80°C Db
- Stainless 316L, Built-in Wiper
- IP67, IK10

Dimensions

Unit : mm (inch)



Accessories (Optional)



SBE-100B SBE-100WM SBE-100CM SBE-100PM

TNU-6320E

VIDEO	
Imaging Device	1/2.8" 2.38M CMOS
Total Pixels	1,952(H) x 1,116(V), 2.18M pixels
Effective Pixels	1,944(H) x 1,104(V), 2.14M pixels
Scanning System	Progressive
Min. Illumination	Color : 0.3Lux (1/30sec, F1.6, 50IRE, AGC high), 0.005Lux (2sec, F1.6, 50IRE, AGC high) B/W : 0.03Lux (1/30sec, F1.6, 50IRE, AGC high), 0.0005Lux (2sec, F1.6, 50IRE, AGC high) Color : 0.15Lux (1/30sec, F1.6, 30IRE), 0.0025Lux (2sec, F1.6, 30IRE) B/W : 0.015Lux (1/30sec, F1.6, 30IRE), 0.00025Lux (2sec, F1.6, 30IRE)
S / N Ratio	50dB
LENS	
Focal Length (Zoom Ratio)	4.44 ~ 142.6mm (Optical 32x)
Max. Aperture Ratio	F1.6(Wide) / F4.4(Tele)
Angular Field of View	H : 62.8°(Wide) ~ 2.23°(Tele) / V : 36.8°(Wide) ~ 1.26°(Tele)
Min. Object Distance	Wide : 1.5m (4.92ft), Tele : 1.5m (4.92ft)
Focus Control	Auto / Manual / One push
Lens / Mount Type	DC auto iris / Board-in type
PAN / TILT / ROTATE	
Pan / Tilt Range	360° Endless / 180° (-90° ~ 90°)
Pan / Tilt Speed	Preset : 50°/sec, Manual : 0.1°/sec ~ 40°/sec
Sequence	Preset (255ea), Swing, Group (6ea), Trace, Tour (1ea), Auto run, Schedule
Preset Accuracy	±0.2°
Azimuth	Yes (E / W / S / N / NE / NW / SE / SW)
OPERATIONAL	
Camera Title	Off / On (Displayed up to 45 characters)
Day & Night	Auto (ICR) / Color / B/W
Backlight Compensation	Off / BLC
Wide Dynamic Range	120dB
Contrast Enhancement	SSDR (Off / On)
Digital Noise Reduction	SSNR/III (2D+3D noise filter) (Off / On)
Digital Image Stabilization	Off / On
Defog	Off / Auto / Manual
Motion Detection	Off / On (4ea rectangle zone)
Gain Control	Off / Low / Middle / High
White Balance	ATW / AWC / Manual / Indoor / Outdoor / Mercury
Electronic Shutter Speed	Minimum / Maximum / Anti flicker (2 ~ 1/1,000sec)
Digital Zoom	16x
Flip / Mirror	Off / On
Intelligent Video Analytics	Tampering, Virtual line, Enter / Exit, (Dis)Appear, Face detection
Alarm I/O	Input 1ea / Output 1ea (Relay)
Alarm Triggers	Motion detection, Tampering, Face detection, Video analytics, Alarm input, Network disconnection
Alarm Events	File upload via FTP and E-Mail, Notification via E-Mail, TCP and HTTP NAS recording at alarm triggers, External output
NETWORK	
Ethernet	RJ-45 (10/100BASE-T)
Video Compression Format	H.264 (MPEG-4 part 10 / AVC), MJPEG
Resolution	1920 x 1080, 1280 x 1024, 1280 x 960, 1280 x 720, 1024 x 768, 800 x 600, 800 x 450, 720 x 576, 640 x 480, 640 x 360, 320 x 240, 320 x 180
Max. Framerate	H.264 : Max. 60fps at all resolutions MJPEG : 1920 x 1080, 1280 x 1024, 1280 x 960, 1280 x 720, 1024 x 768 : Max. 15fps 800 x 600, 800 x 450, 720 x 576, 640 x 480, 640 x 360, 320 x 240, 320 x 180 : Max. 30fps
Smart Codec	Manual mode (Area-based : Sea), Face detection mode
Video Quality Adjustment	H.264 : Compression level, Target bitrate level control, MJPEG : Quality level control
Bitrate Control Method	H.264 : CBR or VBR, MJPEG : VBR
Streaming Capability	Multiple streaming (Up to 10 profiles)
IP	IPv4, IPv6
Protocol	TCP/IP, UDP/IP, RTP (UDP), RTP (TCP), RTCP, RTSP, NTP, HTTP, HTTPS, SSL/TLS, DHCP, PPPoE, FTP, SMTP, ICMP, IGMP, SNMPv1/v2c/v3 (MIB-2), ARP, DNS, DDNS, QoS, PIM-SM, UPnP, Bonjour
Security	HTTPS (SSL) login authentication, Digest login authentication IP address filtering, User access log, 802.1x authentication
Streaming Method	Unicast / Multicast
Max. User Access	10 users at unicast mode
Edge Storage	NAS (Network Attached Storage)
Application Programming Interface	ONVIF profile S, SUNAPI (HTTP API), SVNP 1.2, Wisenet Open Platform
Webpage Language	English, French, German, Spanish, Italian, Chinese, Korean, Russian, Japanese, Swedish, Danish, Portuguese, Turkish, Polish, Czech, Rumanian, Serbian, Dutch, Croatian, Hungarian, Greek, Finnish, Norwegian
Web Viewer	Supported OS : Windows XP / VISTA / 7 / 8, MAC OS X 10.7 Supported Browser : Microsoft Internet Explorer (Ver. 8 ~ 11), Mozilla Firefox (Ver. 9 ~ 19), Google Chrome (Ver. 15 ~ 25), Apple Safari (Ver. 6.0.2 (Mac OS X 10.8, 10.7 only), 5.1.7) * Mac OS X only
Central Management Software	SmartViewer, SSM
ENVIRONMENTAL	
Operating Temperature / Humidity	-40°C ~ +60°C (-40°F ~ +140°F) / Less than 90% RH * Start up should be done at above -30°C (-22°F)
Storage Temperature / Humidity	-30°C ~ +60°C (-22°F ~ +140°F) / Less than 90% RH
Ingress Protection	IP67
Vandal Resistance	IK10
Explosion Certification	CE2460 EX II 2 GD Ex d IIC T6 Gb IP67 Ex tb IIIC T80°C Db
ELECTRICAL	
Input Voltage / Current	24V AC
Power Consumption	24V AC : Max. 49W (24V AC heater on)
MECHANICAL	
Color / Material	Metalic silver / Stainless 316L
Dimensions (WxHxD)	384.0 x 402.0 x 250.0mm (15.12" x 15.83" x 9.84")
Weight	35Kg (77.16 lb)

* The latest product information / specification can be found at hanwha-security.com
* Design and specifications are subject to change without notice.