

## iDS-2CD7A87G0-XZHS(Y) 8 MP DarkfighterS DeepinView Varifocal Bullet Camera



### ▪ DeepinView<sup>series</sup>

- High quality imaging with 8 MP resolution
- Excellent low-light performance via DarkfighterS technology
- Clear imaging against strong back light due to 140 dB WDR technology
- Efficient H.265+ compression technology to save bandwidth and storage
- 5 streams to meet a wide variety of applications
- Water and dust resistant (IP67) and vandal proof (IK10)

## ▪ Function

### Face Recognition

With embedded deep learning based algorithms, the camera is able to give the best shot of a target face through detecting, capturing, grading and selecting. The camera uses face exposure function to dynamically adjust face area exposure of captures and ensures high face picture quality.

### Perimeter Protection

With embedded deep learning based target detection and classification algorithms, the camera carries out the duty of perimeter protection, monitoring the actions of line crossing, intrusion, region entrance, and region exiting. The algorithms greatly filter out the mistaken alarm caused by the interference of leaves, lights, animal, flag, etc.

### Multi-Target-Type Detection

With the embedded deep learning algorithms, the camera detects and captures the face, human body, vehicle in the specified region.

### Queue Management

With embedded deep learning based algorithms, the camera detects queuing-up people number and waiting time of each person. It can generate reports to compare the efficiency of different queuing-ups and display the changing status of one queue, and supports raw data export for further analysis.

### Regional People Counting

With the embedded deep learning algorithms, the camera supports people density detection and will upload detection data through scheduled uploading, number of people change uploading and congestion level uploading. It also supports number of people exception detection and waiting time exception detection.

### On/Off Duty Detection

With the embedded deep learning algorithms, the camera supports absence detection and on/off duty detection. It can detect the on/off duty status and people number changes in a predefined area.

### Heat Map

The camera can generate a graphic description of visits (by calculating amount of people or amount of dwell time) in a configured area.

### People Counting

With the embedded deep learning algorithms, the camera integrates multiple intelligences. It counts persons and reports a face alarm simultaneously to achieve both the entrance control and people counting.

### Hard Hat Detection

With the embedded deep learning algorithms, the camera detects the persons in the specified region. It detects whether the person is wearing a hard hat, and reports an alarm if not.

## ▪ Specification

| Camera                 |                                                                                                                                                                             |
|------------------------|-----------------------------------------------------------------------------------------------------------------------------------------------------------------------------|
| Image Sensor           | 1/1.8" Progressive Scan CMOS                                                                                                                                                |
| Max. Resolution        | 3840 × 2160                                                                                                                                                                 |
| Min. Illumination      | Color: 0.0005 Lux @ (F1.0, AGC ON), B/W: 0.0001 Lux @ (F1.0, AGC ON), 0 Lux with light                                                                                      |
| Shutter Time           | 1 s to 1/100,000 s                                                                                                                                                          |
| Day & Night            | IR cut filter<br>Blue glass module (less ghost phenomenon)                                                                                                                  |
| Angle Adjustment       | Pan: 0° to 355°, tilt: 0° to 90°, rotate: 0° to 360°                                                                                                                        |
| Lens                   |                                                                                                                                                                             |
| Focal Length & FOV     | 2.8 to 12 mm, horizontal FOV 99.8° to 44.1°, vertical FOV 54.6° to 24.8°, diagonal FOV 113.8° to 51.1°                                                                      |
| Focus                  | Auto, Semi-auto, Manual                                                                                                                                                     |
| Iris Type              | P-iris                                                                                                                                                                      |
| Aperture               | F1.0 to F1.2                                                                                                                                                                |
| DORI                   |                                                                                                                                                                             |
| DORI                   | Wide: D: 92 m, O: 36.5 m, R: 18.4 m, I: 9.2 m<br>Tele: D: 204 m, O: 81 m, R: 40 m, I: 20.4 m                                                                                |
| Illuminator            |                                                                                                                                                                             |
| Supplement Light Type  | Hybrid (IR and White Light)                                                                                                                                                 |
| Supplement Light Range | Up to 50 m                                                                                                                                                                  |
| Smart Supplement Light | Yes                                                                                                                                                                         |
| IR Wavelength          | 850 nm                                                                                                                                                                      |
| AI Open Platform       |                                                                                                                                                                             |
| Model Specification    | Up to 4 models,<br>Model type: detection model, classification model, mixed model (detection model and classification model)                                                |
| Video                  |                                                                                                                                                                             |
| Main Stream            | 50 Hz: 25 fps (3840 × 2160, 3072 × 1728, 2560 × 1440, 1920 × 1080, 1280 × 720)<br>60 Hz: 30 fps (3840 × 2160, 3072 × 1728, 2560 × 1440, 1920 × 1080, 1280 × 720)            |
| Sub-Stream             | 50 Hz: 25 fps (704 × 576, 640 × 480)<br>60 Hz: 30 fps (704 × 480, 640 × 480)                                                                                                |
| Third Stream           | 50 Hz: 25 fps (1920 × 1080, 1280 × 720, 704 × 576, 640 × 480)<br>60 Hz: 30 fps (1920 × 1080, 1280 × 720, 704 × 480, 640 × 480)                                              |
| Fourth Stream          | 50 Hz: 25 fps (704 × 576, 640 × 480)<br>60 Hz: 30 fps (704 × 480, 640 × 480)                                                                                                |
| Fifth Stream           | 50 Hz: 25 fps (704 × 576, 640 × 480)<br>60 Hz: 30 fps (704 × 480, 640 × 480)                                                                                                |
| Video Compression      | Main stream: H.265+/H.265/H.264+/H.264<br>Sub-stream: H.265/H.264/MJPEG<br>Third stream: H.265/H.264<br>Fourth stream: H.265/H.264/MJPEG<br>Fifth stream: H.265/H.264/MJPEG |
| Video Bit Rate         | 32 Kbps to 16 Mbps                                                                                                                                                          |
| H.264 Type             | Baseline Profile, Main Profile, High Profile                                                                                                                                |

|                             |                                                                                                                                                                                                                                                                                                                                                     |
|-----------------------------|-----------------------------------------------------------------------------------------------------------------------------------------------------------------------------------------------------------------------------------------------------------------------------------------------------------------------------------------------------|
| H.265 Type                  | Main Profile                                                                                                                                                                                                                                                                                                                                        |
| Bit Rate Control            | CBR, VBR                                                                                                                                                                                                                                                                                                                                            |
| Scalable Video Coding (SVC) | H.264 and H.265 encoding                                                                                                                                                                                                                                                                                                                            |
| Region of Interest (ROI)    | 4 fixed regions for each stream                                                                                                                                                                                                                                                                                                                     |
| Target Cropping             | Yes                                                                                                                                                                                                                                                                                                                                                 |
| <b>Audio</b>                |                                                                                                                                                                                                                                                                                                                                                     |
| Audio Type                  | Mono sound                                                                                                                                                                                                                                                                                                                                          |
| Audio Compression           | G.711/G.722.1/G.726/MP2L2/PCM/MP3/AAC-LC                                                                                                                                                                                                                                                                                                            |
| Audio Bit Rate              | 64 Kbps (G.711ulaw/G.711alaw)/16 Kbps (G.722.1)/16 Kbps (G.726)/32 to 192 Kbps (MP2L2)/8 to 320 Kbps (MP3)/16 to 64 Kbps (AAC-LC)                                                                                                                                                                                                                   |
| Audio Sampling Rate         | 8 kHz/16 kHz/32 kHz/44.1 kHz/48 kHz                                                                                                                                                                                                                                                                                                                 |
| Environment Noise Filtering | Yes                                                                                                                                                                                                                                                                                                                                                 |
| <b>Network</b>              |                                                                                                                                                                                                                                                                                                                                                     |
| Protocols                   | TCP/IP, ICMP, HTTP, HTTPS, FTP, SFTP, DHCP, DNS, DDNS, SRTP, RTP, RTSP, RTCP, PPPoE, NTP, UPnP, SMTP, SNMP, IGMP, 802.1X, QoS, IPv4/IPv6, UDP, Bonjour, SSL/TLS, ARP, WebSocket, WebSockets                                                                                                                                                         |
| Simultaneous Live View      | Up to 20 channels                                                                                                                                                                                                                                                                                                                                   |
| API                         | Open Network Video Interface (Profile S, Profile G, Profile T), ISAPI, SDK, ISUP                                                                                                                                                                                                                                                                    |
| User/Host                   | Up to 32 users<br>3 user levels: administrator, operator, and user                                                                                                                                                                                                                                                                                  |
| Security                    | Password protection, complicated password, HTTPS encryption, 802.1X authentication (EAP-TLS, EAP-LEAP, EAP-MD5), watermark, IP address filter, basic and digest authentication for HTTP/HTTPS, WSSE and digest authentication for Open Network Video Interface, RTP/RTSP OVER HTTPS, Control Timeout Settings, Security Audit Log, TLS 1.2, TLS 1.3 |
| Network Storage             | NAS (NFS, SMB/CIFS), Auto Network Replenishment (ANR)<br>Together with high-end Hikvision memory card, memory card encryption and health detection are supported.                                                                                                                                                                                   |
| Client                      | iVMS-4200, Hik-Connect                                                                                                                                                                                                                                                                                                                              |
| Web Browser                 | Plug-in required live view: IE 10, IE11<br>Plug-in free live view: Chrome 57.0+, Firefox 52.0+                                                                                                                                                                                                                                                      |
| <b>Image</b>                |                                                                                                                                                                                                                                                                                                                                                     |
| Image Parameters Switch     | Yes                                                                                                                                                                                                                                                                                                                                                 |
| Image Settings              | Saturation, brightness, contrast, sharpness, AGC, white balance, adjustable by client software or web browser                                                                                                                                                                                                                                       |
| Day/Night Switch            | Day, Night, Auto, Schedule, Alarm Trigger, Video Trigger                                                                                                                                                                                                                                                                                            |
| Wide Dynamic Range (WDR)    | 140 dB                                                                                                                                                                                                                                                                                                                                              |
| Image Enhancement           | BLC, HLC, 3D DNR, Defog, EIS                                                                                                                                                                                                                                                                                                                        |
| Privacy Mask                | 8 programmable polygon privacy masks                                                                                                                                                                                                                                                                                                                |
| Picture Overlay             | LOGO picture can be overlaid on video with 128 × 128 24 bit bmp format.                                                                                                                                                                                                                                                                             |
| <b>Interface</b>            |                                                                                                                                                                                                                                                                                                                                                     |
| Video Output                | 1 Vp-p Composite Output (75 Ω/CVBS) (Only for debugging)                                                                                                                                                                                                                                                                                            |
| Ethernet Interface          | 1 RJ45 10 M/100 M/1000 M self-adaptive Ethernet port                                                                                                                                                                                                                                                                                                |
| On-Board Storage            | Built-in memory card slot, support microSD/microSDHC/microSDXC card, up to 1 TB                                                                                                                                                                                                                                                                     |
| Alarm                       | 2 input(s), 2 output(s) (max. 24 VDC, 1 A)                                                                                                                                                                                                                                                                                                          |

|                               |                                                                                                                                                                                                                                                                                                                                                                                                                                                                                                                                                                                                                                                                                              |
|-------------------------------|----------------------------------------------------------------------------------------------------------------------------------------------------------------------------------------------------------------------------------------------------------------------------------------------------------------------------------------------------------------------------------------------------------------------------------------------------------------------------------------------------------------------------------------------------------------------------------------------------------------------------------------------------------------------------------------------|
| Audio                         | 1 input (line in), 3.5 mm connector, three-contact, max. input amplitude: 3.3 Vpp, input impedance: 4.7 K $\Omega$ , interface type: non-equilibrium<br>1 output (line out), 3.5 mm connector, three-contact, max. output amplitude: 3.3 Vpp, output impedance: 100 $\Omega$ , interface type: non-equilibrium, mono sound                                                                                                                                                                                                                                                                                                                                                                   |
| RS-485                        | 1 RS-485 (Half duplex, HIKVISION, Pelco-P, Pelco-D, self-adaptive)                                                                                                                                                                                                                                                                                                                                                                                                                                                                                                                                                                                                                           |
| Reset Key                     | Yes                                                                                                                                                                                                                                                                                                                                                                                                                                                                                                                                                                                                                                                                                          |
| Power Output                  | 12 VDC, max. 100 mA                                                                                                                                                                                                                                                                                                                                                                                                                                                                                                                                                                                                                                                                          |
| <b>Event</b>                  |                                                                                                                                                                                                                                                                                                                                                                                                                                                                                                                                                                                                                                                                                              |
| Basic Event                   | Motion detection, video tampering alarm, video quality diagnosis, exception (network disconnected, IP address conflict, illegal login, abnormal reboot, HDD full, HDD error), vibration detection                                                                                                                                                                                                                                                                                                                                                                                                                                                                                            |
| Smart Event                   | Line crossing detection, intrusion detection, region entrance detection, region exiting detection, audio exception detection, scene change detection, defocus detection                                                                                                                                                                                                                                                                                                                                                                                                                                                                                                                      |
| Linkage                       | Upload to FTP/NAS/memory card, notify surveillance center, send email, trigger alarm output, trigger recording, trigger capture, audible warning                                                                                                                                                                                                                                                                                                                                                                                                                                                                                                                                             |
| <b>Deep Learning Function</b> |                                                                                                                                                                                                                                                                                                                                                                                                                                                                                                                                                                                                                                                                                              |
| Multi-target-type Detection   | Supports simultaneous detection and capture of human body, face, and vehicle,<br>Gets 7 face features,<br>Gets 13 human body features,<br>Gets 2 vehicle features                                                                                                                                                                                                                                                                                                                                                                                                                                                                                                                            |
| Face Capture                  | Detects up to 60 faces simultaneously,<br>Supports swing left and right from -60° to 60°, tilt up and down from -30° to 30°,<br>Uploads face with background and closed-up face pictures                                                                                                                                                                                                                                                                                                                                                                                                                                                                                                     |
| Face Comparison               | Up to 10 face libraries. Up to 30,000 faces for each library. 150,000 faces in total.<br>Supports face library encryption                                                                                                                                                                                                                                                                                                                                                                                                                                                                                                                                                                    |
| People Counting               | Supports crossline people counting,<br>Supports counting, displaying and exporting the people flow data of entering and exiting (The data is stored in the flash),<br>The real-time people flow data is displayed on the screen,<br>Supports swing left and right from -60° to 60°, tilt up and down from -30° to 30°,<br>Uploads face with background and closed-up face picture,<br>Supports real-time uploading and uploading by statistic cycle                                                                                                                                                                                                                                          |
| Queue Management              | Supports up to 8 detection regions, and independent arming schedule and linkage method,<br>Supports 2 detection modes: regional people queuing-up, waiting time detection,<br>Generates reports to compare the efficiency of different queuing-ups and display the changing status of one queue,<br>Supports raw data export for further analysis,<br>Supports real-time data uploading and scheduled data uploading,<br>Regional people queuing-up: supports 4 alarm trigger conditions, including greater than threshold, less than threshold, equal to threshold, not equal to threshold,<br>Waiting time detection: supports 1 alarm trigger condition, including greater than threshold |
| Heat Map                      | A graphic description of visits (by calculating amount of people or amount of dwell time) in a configured area,<br>Two report types are available, space heat map and time heat map line chart                                                                                                                                                                                                                                                                                                                                                                                                                                                                                               |

|                                  |                                                                                                                                                                                                                                                                                                                                                                                                                                                                                                                                                                                                                                                                                                                                                                                                                                                                                                                                                                                                                                                                                                                      |
|----------------------------------|----------------------------------------------------------------------------------------------------------------------------------------------------------------------------------------------------------------------------------------------------------------------------------------------------------------------------------------------------------------------------------------------------------------------------------------------------------------------------------------------------------------------------------------------------------------------------------------------------------------------------------------------------------------------------------------------------------------------------------------------------------------------------------------------------------------------------------------------------------------------------------------------------------------------------------------------------------------------------------------------------------------------------------------------------------------------------------------------------------------------|
| Hard Hat Detection               | <p>Detects up to 30 human targets simultaneously</p> <p>Supports up to 4 shield regions</p>                                                                                                                                                                                                                                                                                                                                                                                                                                                                                                                                                                                                                                                                                                                                                                                                                                                                                                                                                                                                                          |
| Metadata                         | Intrusion detection, line crossing detection, region entrance detection, region exiting detection                                                                                                                                                                                                                                                                                                                                                                                                                                                                                                                                                                                                                                                                                                                                                                                                                                                                                                                                                                                                                    |
| Regional People Counting         | <p>Supports up to 8 detection regions, and independent arming schedule and linkage method,</p> <p>Supports 3 detection modes: people density detection, number of people exception detection, waiting time exception detection</p> <p>Supports parameter settings: alarm times per exception, alarm interval, first alarm delay,</p> <p>Supports searching real-time number of people,</p> <p>People density detection: supports scheduled uploading, number of people change uploading, congestion level uploading,</p> <p>Number of people exception detection: supports 6 alarm trigger conditions, including greater than threshold A, less than threshold A, equal to threshold A, not equal to threshold A, greater than threshold A and less than threshold B, less than threshold A or greater than threshold B (threshold A should be less than threshold B),</p> <p>Waiting time exception detection: supports 3 alarm trigger conditions, including greater than threshold A, less than threshold A, greater than threshold A and less than threshold B (threshold A should be less than threshold B)</p> |
| On/Off Duty Detection            | <p>Supports up to 8 detection regions, and independent arming schedule and linkage method,</p> <p>Supports 2 detection modes: absence detection, on/off duty detection,</p> <p>Supports parameter settings: person on duty, absence duration</p>                                                                                                                                                                                                                                                                                                                                                                                                                                                                                                                                                                                                                                                                                                                                                                                                                                                                     |
| <b>General</b>                   |                                                                                                                                                                                                                                                                                                                                                                                                                                                                                                                                                                                                                                                                                                                                                                                                                                                                                                                                                                                                                                                                                                                      |
| Power                            | <p>Three-core terminal block</p> <p>12 VDC ± 20%, 1.90 A, max. 22.7 W</p> <p>24 VAC ± 20%, 1.39 A, max. 22.3 W</p> <p>PoE: 802.3at, Type 2, Class 4, 42.5 V to 57 V, 0.59 A to 0.44 A, max. 24.7 W</p>                                                                                                                                                                                                                                                                                                                                                                                                                                                                                                                                                                                                                                                                                                                                                                                                                                                                                                               |
| Material                         | Aluminum alloy body                                                                                                                                                                                                                                                                                                                                                                                                                                                                                                                                                                                                                                                                                                                                                                                                                                                                                                                                                                                                                                                                                                  |
| Dimension                        | Ø140 mm × 378.4 mm (Ø5.5" × 14.9")                                                                                                                                                                                                                                                                                                                                                                                                                                                                                                                                                                                                                                                                                                                                                                                                                                                                                                                                                                                                                                                                                   |
| Package Dimension                | 425 mm × 190 mm × 180 mm (16.7" × 7.5" × 7.1")                                                                                                                                                                                                                                                                                                                                                                                                                                                                                                                                                                                                                                                                                                                                                                                                                                                                                                                                                                                                                                                                       |
| Weight                           | Approx. 2280 g (5.0 lb.)                                                                                                                                                                                                                                                                                                                                                                                                                                                                                                                                                                                                                                                                                                                                                                                                                                                                                                                                                                                                                                                                                             |
| With Package Weight              | Approx. 3370 g (7.4 lb.)                                                                                                                                                                                                                                                                                                                                                                                                                                                                                                                                                                                                                                                                                                                                                                                                                                                                                                                                                                                                                                                                                             |
| Storage Conditions               | -40 °C to 60 °C (-40 °F to 140 °F). Humidity 95% or less (non-condensing)                                                                                                                                                                                                                                                                                                                                                                                                                                                                                                                                                                                                                                                                                                                                                                                                                                                                                                                                                                                                                                            |
| Startup and Operating Conditions | -40 °C to 60 °C (-40 °F to 140 °F). Humidity 95% or less (non-condensing)                                                                                                                                                                                                                                                                                                                                                                                                                                                                                                                                                                                                                                                                                                                                                                                                                                                                                                                                                                                                                                            |
| Language                         | 33 languages: English, Russian, Estonian, Bulgarian, Hungarian, Greek, German, Italian, Czech, Slovak, French, Polish, Dutch, Portuguese, Spanish, Romanian, Danish, Swedish, Norwegian, Finnish, Croatian, Slovenian, Serbian, Turkish, Korean, Traditional Chinese, Thai, Vietnamese, Japanese, Latvian, Lithuanian, Portuguese (Brazil), Ukrainian                                                                                                                                                                                                                                                                                                                                                                                                                                                                                                                                                                                                                                                                                                                                                                |
| General Function                 | Heartbeat, anti-banding, one-key reset, mirror, password protection, privacy mask, watermark, IP address filter, flash log, control timeout                                                                                                                                                                                                                                                                                                                                                                                                                                                                                                                                                                                                                                                                                                                                                                                                                                                                                                                                                                          |
| Heater                           | Yes                                                                                                                                                                                                                                                                                                                                                                                                                                                                                                                                                                                                                                                                                                                                                                                                                                                                                                                                                                                                                                                                                                                  |
| Demist                           | Yes                                                                                                                                                                                                                                                                                                                                                                                                                                                                                                                                                                                                                                                                                                                                                                                                                                                                                                                                                                                                                                                                                                                  |

| Approval                  |                                                                                                                                                                                                                               |
|---------------------------|-------------------------------------------------------------------------------------------------------------------------------------------------------------------------------------------------------------------------------|
| EMC                       | FCC: 47 CFR Part 15, Subpart B<br>CE-EMC: EN 55032: 2015, EN 61000-3-2: 2019, EN 61000-3-3: 2013 + A1: 2019, EN 50130-4: 2011 + A1: 2014<br>RCM: AS/NZS CISPR 32: 2015<br>IC: ICES-003: Issue 7<br>KC: KN32: 2015, KN35: 2015 |
| Safety                    | UL: UL 62368-1<br>CB: IEC 62368-1: 2014 + A11<br>CE-LVD: EN 62368-1: 2014/A11: 2017<br>BIS: IS 13252 (Part 1): 2010/IEC 60950-1: 2005<br>LOA: IEC/EN 60950-1                                                                  |
| Environment               | CE-RoHS: 2011/65/EU<br>WEEE: 2012/19/EU<br>Reach: Regulation (EC) No 1907/2006                                                                                                                                                |
| Protection                | IP67: IEC 60529-2013, IK10: IEC 62262: 2002                                                                                                                                                                                   |
| Anti-Corrosion Protection | -Y model: NEMA 4X (NEMA 250-2018)                                                                                                                                                                                             |
| Automotive and Railway    | EN50121-4                                                                                                                                                                                                                     |
| Other                     | PVC FREE                                                                                                                                                                                                                      |

## ▪ Typical Application

Hikvision products are classified into three levels according to their anti-corrosion performance. Refer to the following description to choose for your using environment.

With -Y model: This model has MODERATE PROTECTION.

Without -Y model: This model has NO SPECIFIC PROTECTION.

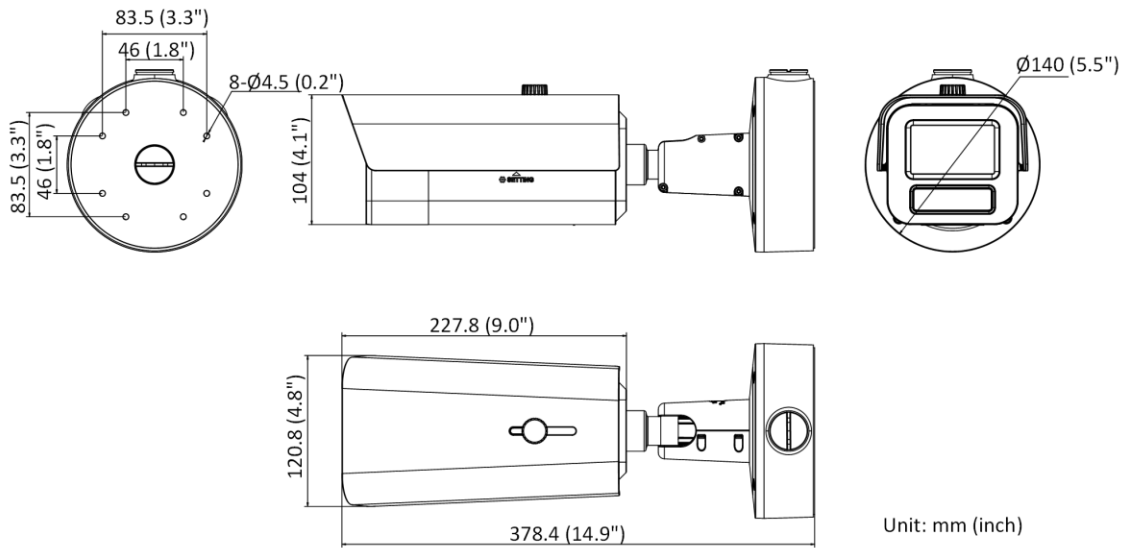
| Level                  | Description                                                                                                                                                                                                                                            |
|------------------------|--------------------------------------------------------------------------------------------------------------------------------------------------------------------------------------------------------------------------------------------------------|
| Top-level protection   | Hikvision products at this level are equipped for use in areas where professional anti-corrosion protection is a must. Typical application scenarios include coastlines, docks, chemical plants, and more.                                             |
| Moderate protection    | Hikvision products at this level are equipped for use in areas with moderate anti-corrosion demands. Typical application scenarios include coastal areas about 2 kilometers (1.24 miles) away from coastlines, as well as areas affected by acid rain. |
| No specific protection | Hikvision products at this level are equipped for use in areas where no specific anti-corrosion protection is needed.                                                                                                                                  |

## ▪ Available Model

iDS-2CD7A87G0-XZHSY (2.8 to 12 mm)

iDS-2CD7A87G0-XZHS (2.8 to 12 mm)

▪ **Dimension**



With -Y Model

Unit: mm (inch)

▪ **Accessory**

▪ **Optional**

| DS-1476ZJ-Y<br>Corner Mount | DS-1476ZJ-SUS<br>Corner Mount | DS-1275ZJ-S-SUS<br>Vertical Pole Mount | DS-1475ZJ-Y<br>Vertical Pole Mount | DS-1475ZJ-SUS<br>Vertical Pole Mount |
|-----------------------------|-------------------------------|----------------------------------------|------------------------------------|--------------------------------------|
|                             |                               |                                        |                                    |                                      |
|                             |                               |                                        |                                    |                                      |

**Headquarters**

No.555 Qianmo Road, Binjiang District,  
Hangzhou 310051, China  
T +86-571-8807-5998  
www.hikvision.com



Follow us on social media to get the latest product and solution information.

